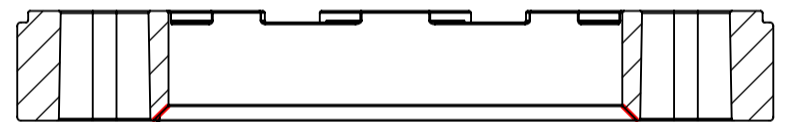
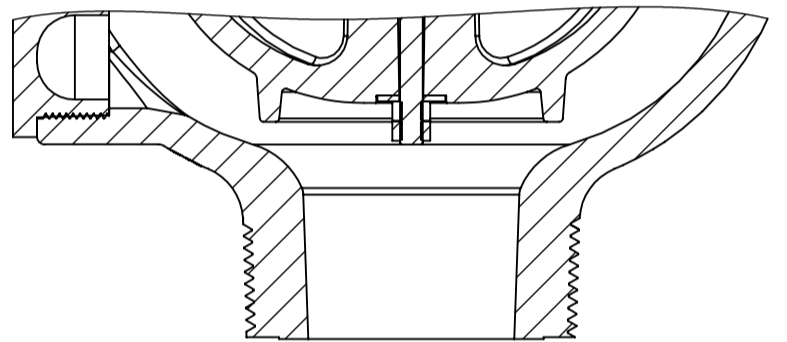
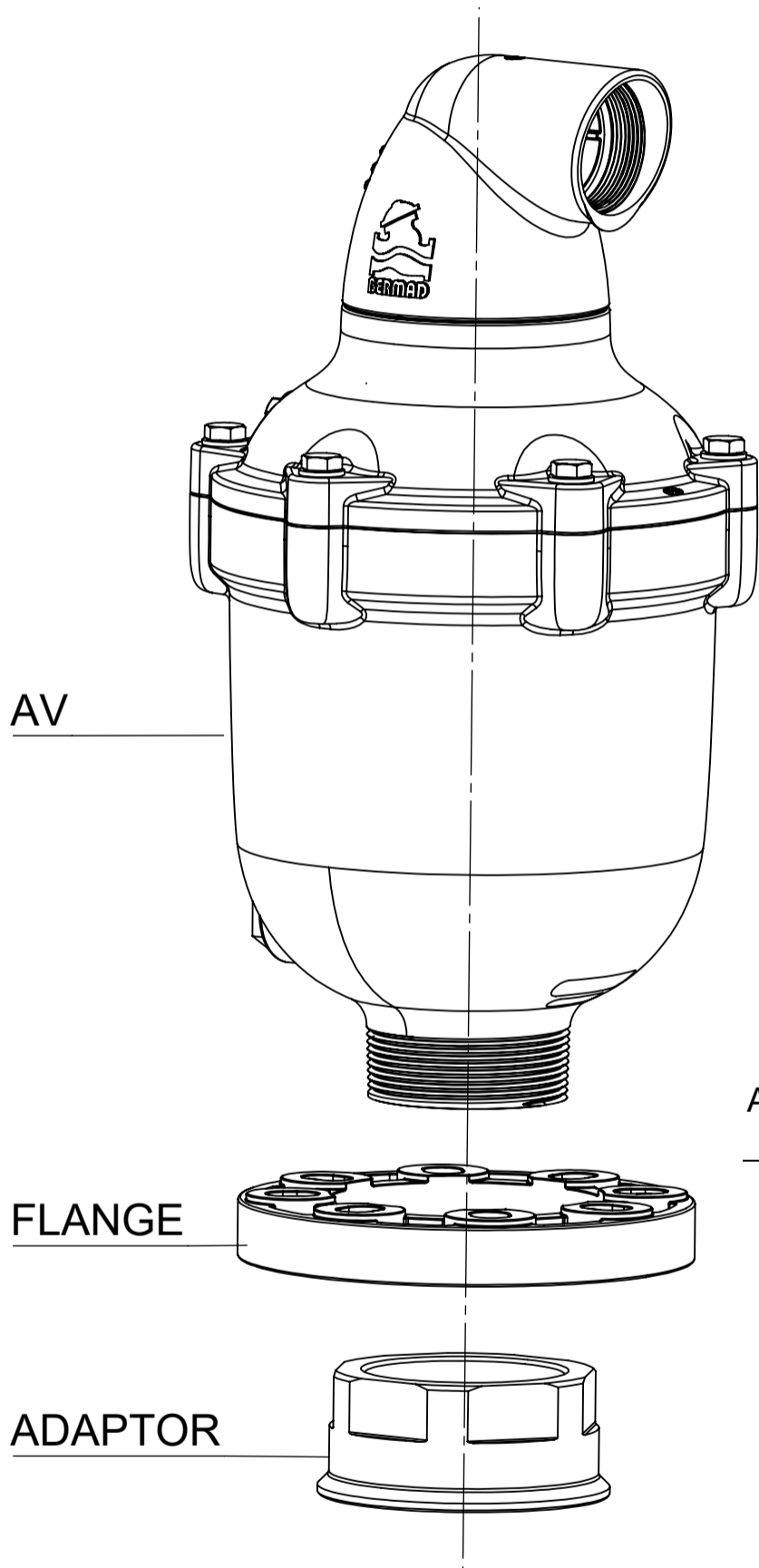
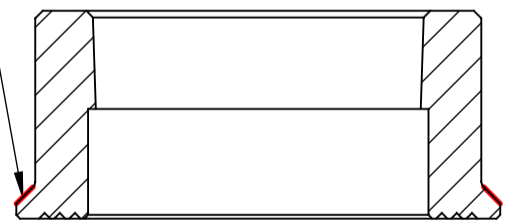


**AV SERIES**  
**C50-P SEWAGE & WASTEWATER COMBINATION AIR VALVE**  
**SIZE 3 - 4" (50-100mm)**



ASSEMBLY ORIENTATION  
 CHAMFER SIDE DOWN



SECTION A-A

CATALOG No.		PROJECT No:		ITEM NO	DESCRIPTION:  3"+4" FLANGE KIT ASSEMBLY ON C50 AIR VALVE	Assembly Drawing
				31		
	NAME	DATE				
DESIGN	Eylon Freundlich					
DRAWN	Eylon Freundlich	16.11.2017				
APPROVED	Eylon Freundlich	06.09.2018		DWG No. 019380	SCALE: 1:2	A3
MOULD:	WEIGHT [Kg]:		Spare parts PAGE NO:		SHEET 2 OF 2	REV. 1