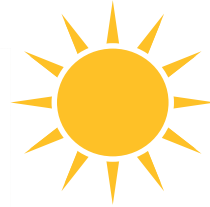
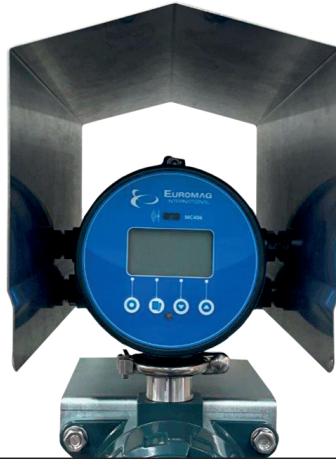


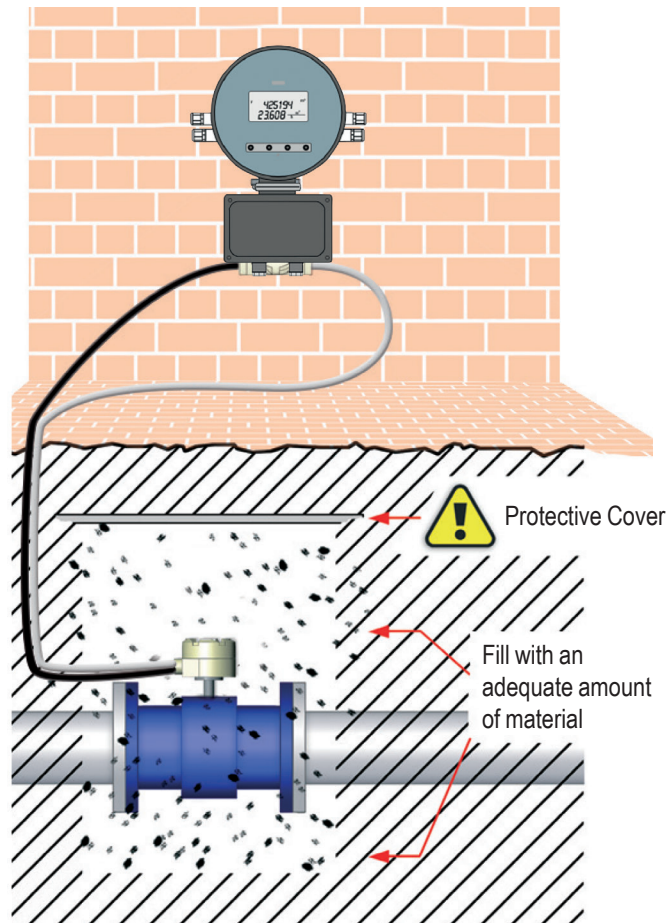
## MC406 CONVERTER INSTALLATION

Protect the converter from direct sunlight



*DO NOT remove the sun shield provided*

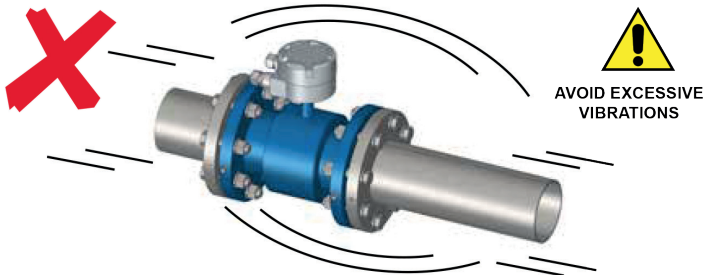
Always remote mount the MC406 converter when installing a meter in a pit



*Remote mountable up to 30m*

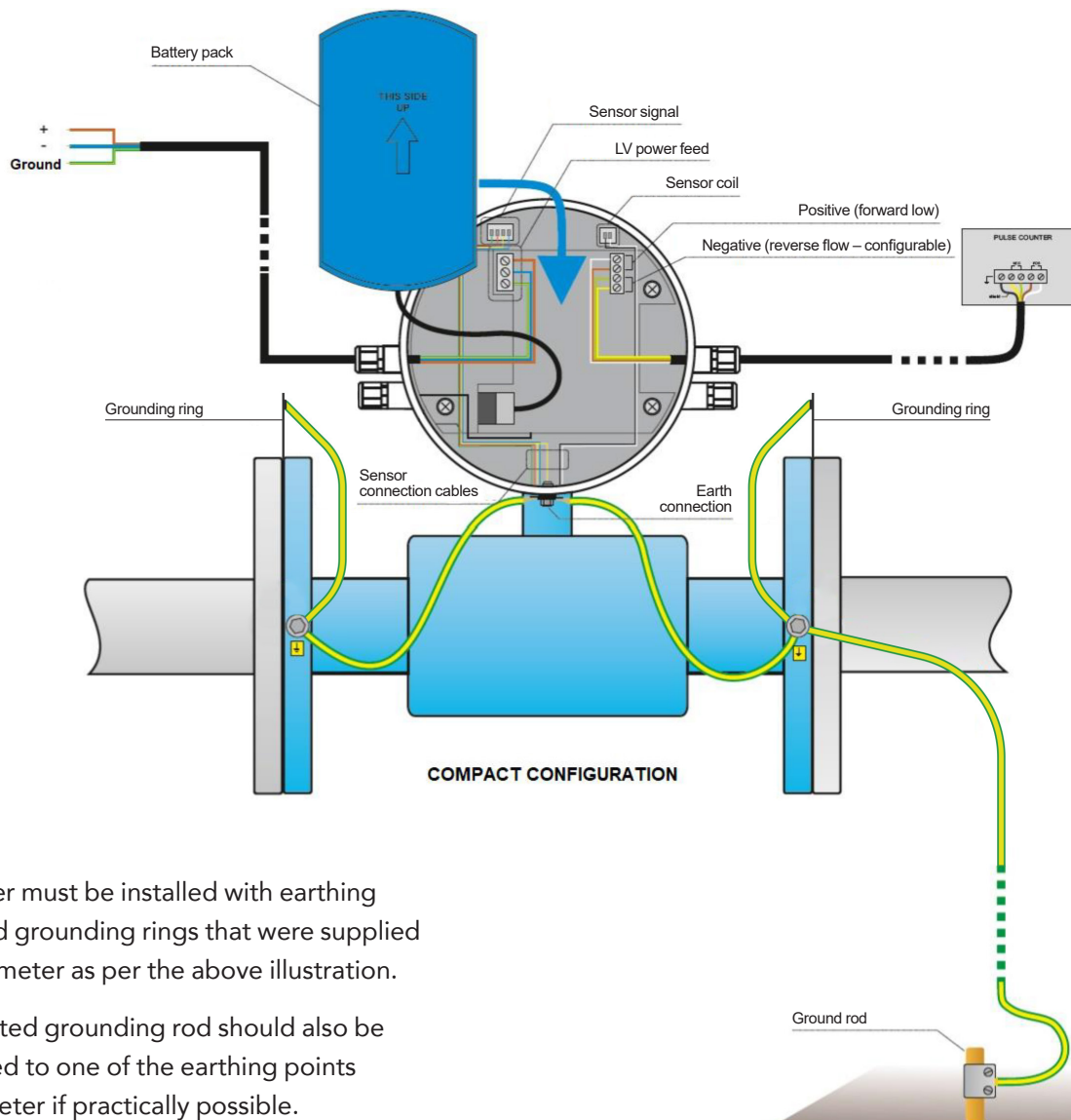
## VIBRATIONS

Do not expose the MC406 converter to excessive vibrations



Install a suitable anti-vibration protection  
or remote mount the converter

## GROUNDING – COMPACT VERSION



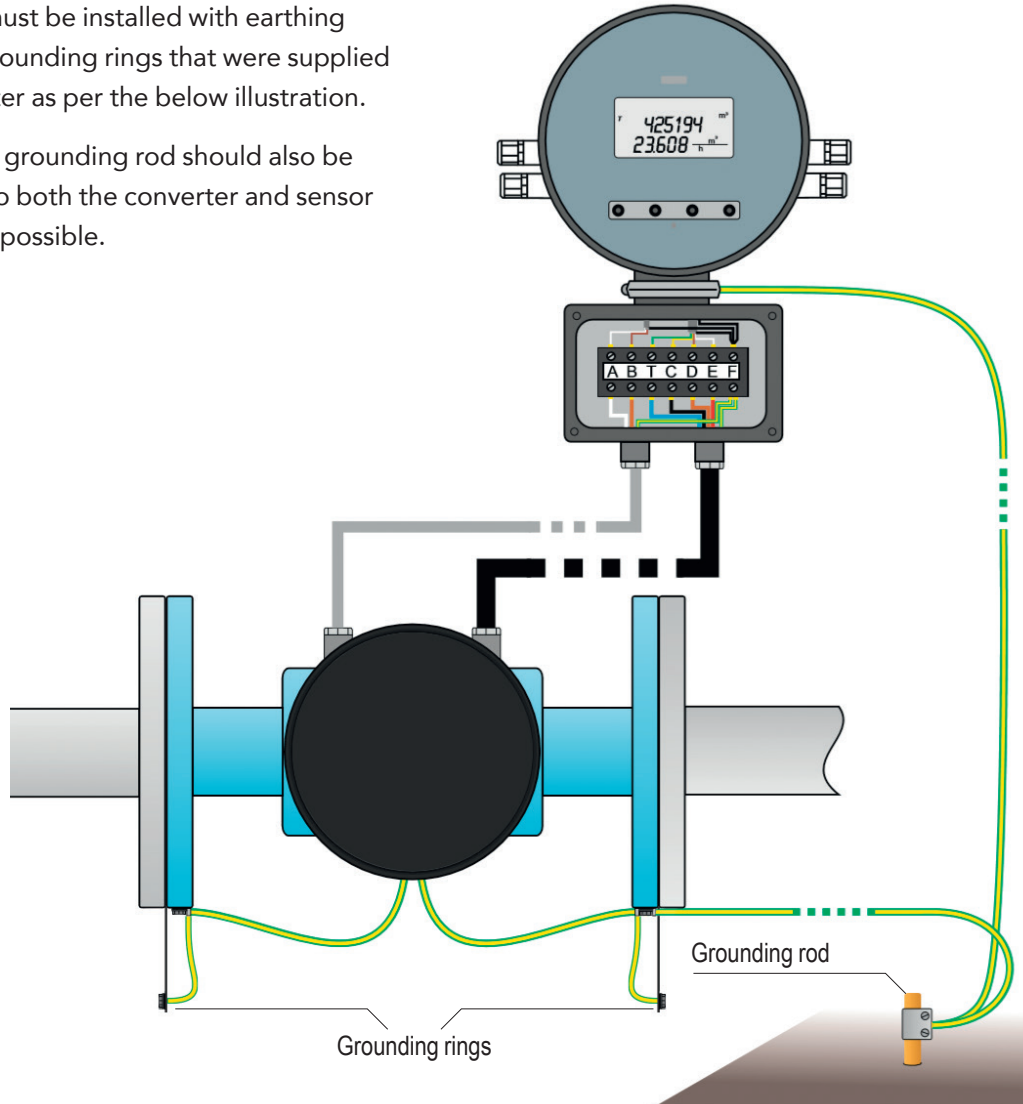
The meter must be installed with earthing cable and grounding rings that were supplied with the meter as per the above illustration.

A dedicated grounding rod should also be connected to one of the earthing points on the meter if practically possible.

## GROUNDING – REMOTE VERSION

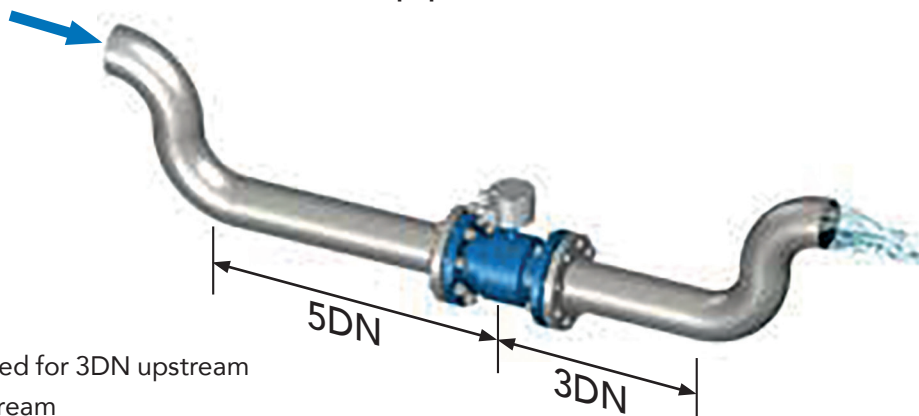
The meter must be installed with earthing cable and grounding rings that were supplied with the meter as per the below illustration.

A dedicated grounding rod should also be connected to both the converter and sensor if practically possible.



## MUT2200 SENSOR STRAIGHT PIPE LENGTHS

Factory recommended min straight pipe lengths 5DN/3DN



NMI M10 approved for 3DN upstream  
and 0DN downstream

## ELECTRICAL CONNECTIONS

### Supply voltage

**MC406:**

Battery power only

**MC406A:**

12-24, battery or 12-24V with battery backup

### 4-20mA output

**MC406A:** Standard    **MC406:** Optional

Loop powered by 12-24Vdc external source

### Pulse output

Standard on MC406 & MC406A

Max voltage 30Vac or dc

Clean electric contacts up to 100mA

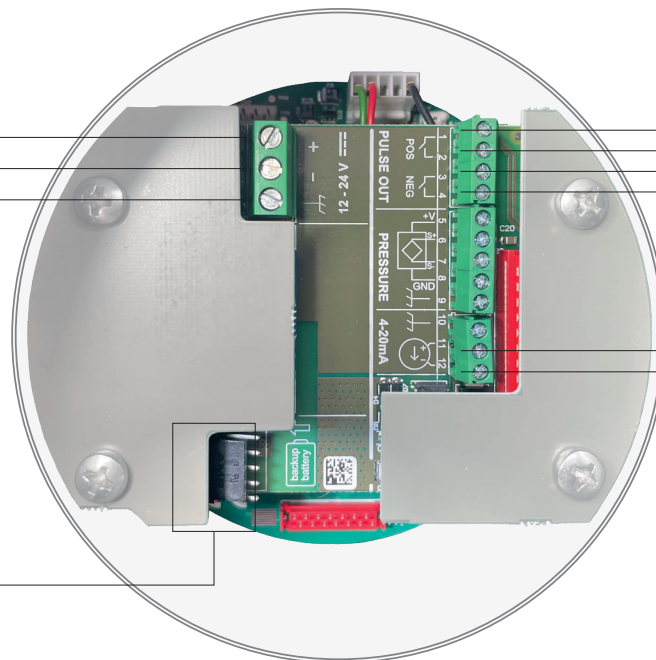
### Modbus RS485 and Bluetooth comms

Optional for MC406 and MC406A

### MC406A

#### Supply Voltage

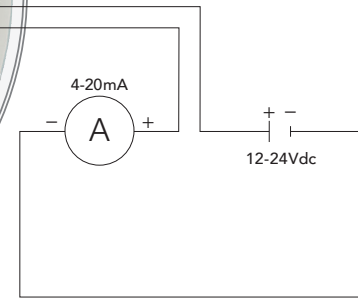
+  
12-24 Vdc  
-  
Earth



#### Pulse Outputs

Normally open  
 Forward flow  
 Common  
 Reverse flow  
 (programmable)

Battery backup  
 Connection for optional battery backup



For more information or to speak to one of our staff, call the number in your state.  
[www.bermadmeters.com.au](http://www.bermadmeters.com.au)

**Victoria**  
 Tel: 03 9464 2374  
 26 Brand Drv  
 Thomastown 3074

**New South Wales**  
 Tel: 02 9746 1788  
 31/42-50 Hampstead Rd  
 Homebush West 2140

**Queensland**  
 Tel: 07 3205 3431  
 105/193 South Pine Rd  
 Brendale 4500

**South Australia / NT**  
 Tel: 08 8359 8696  
 2/43 Douglas Drv  
 Mawson Lakes 5095

**Western Australia**  
 Tel: 08 9227 0014  
 11/117 Brisbane St  
 Northbridge 6003

**Enquiries**  
[info@bermad.com.au](mailto:info@bermad.com.au)  
[www.bermadmeters.com.au](http://www.bermadmeters.com.au)