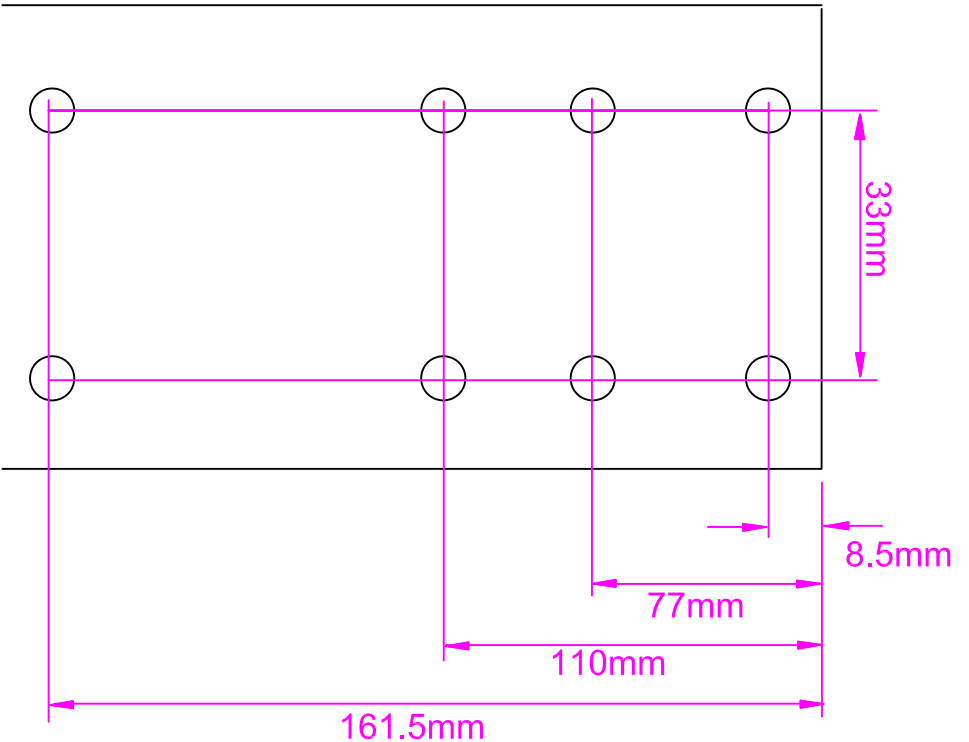



8 Mounting holes each
8mm diameter

Plate 170mm x 60 x 5mm



Bottom of mounting plate

 Not to Scale		Bermad Water Technologies 26 Brand Drive , Thomastown , Vic 3074 Ph (03) 9464 2374 Fax (03) 9464 2382		Drawn by : Date :	
Email Address collin@bermad.com.au		Project : Mounting plate for #66 Pilot		Drawing Number :	
Revision Number / Date				