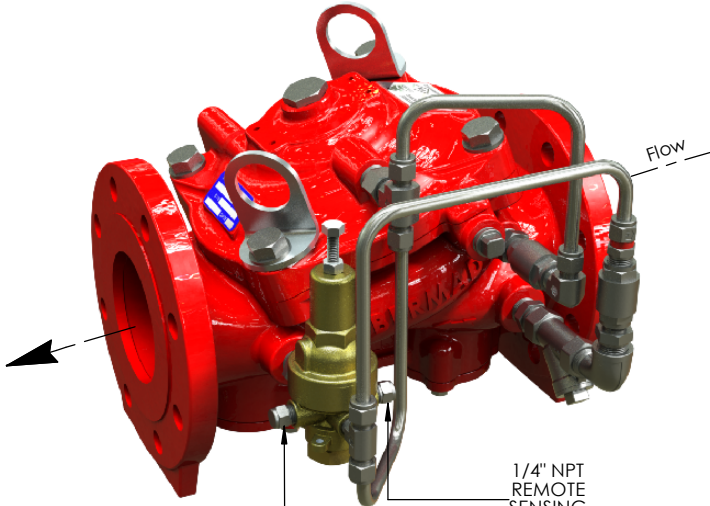


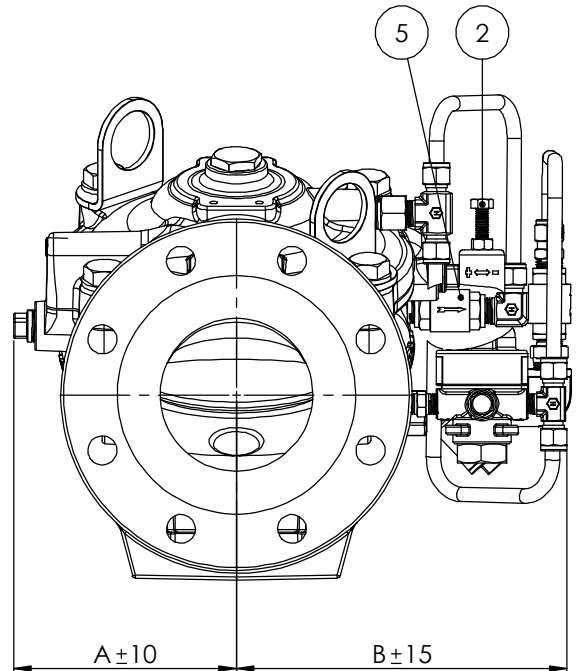
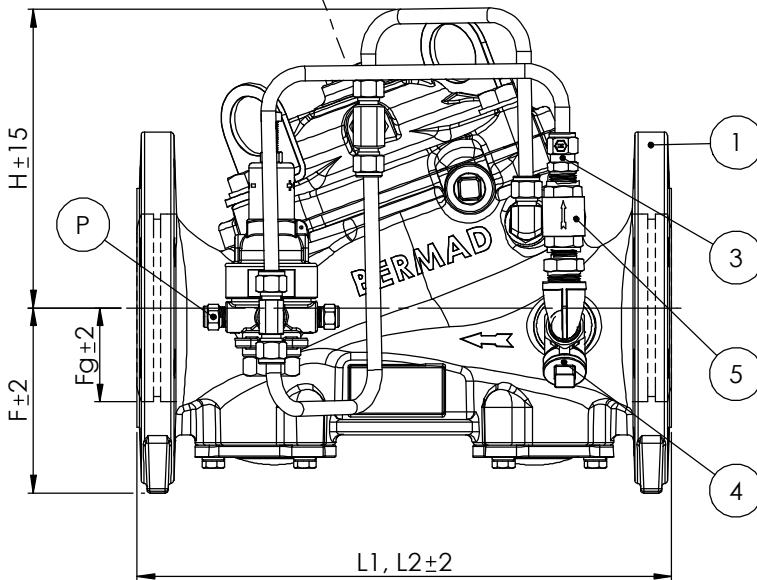
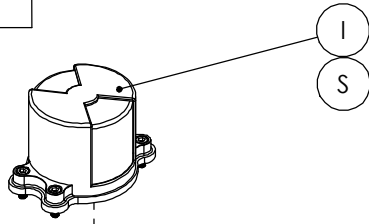
Item No.	Description	Qty
1	Main Valve BERMAD 400Y Series	1
2	Pressure Reducing Pilot Valve #2PB	1
3	Restriction Orifice Insert	1
4	Y Strainer	1
5	Check Valve	2

Optional Items		
I	Valve Visual Position Indicator	1
S	Enclosed Limit Switch Assembly	1
P	Pressure Gauge 1/4" NPT	1



1/4" NPT OPTIONAL  
PRESSURE GAUGE  
CONNECTION

1/4" NPT  
REMOTE  
SENSING  
OPTION



Valve Size	1½"	2"	3"	4"	6"	8"	10"
DN	40	50	80	100	150	200	250
H (3)	150	145	183	193	262	325	325
F	65	77	103	115	140	172	204
Fg (Grooved)	23	38	44.5	57.2	84.2	110	-
L1 (1)	230	230	310	350	480	600	730
L2 (2)	230	235	325	367	505.5	626	730
A	78	76	139	147	200	172	204
B	165	175	223	254	268	490	490
Weight #150	9.4	10.8	27.5 Kg	37.5 Kg	81 Kg	149 Kg	178 Kg
Weight #300	11.8	12.7	32.2 Kg	44.9 Kg	100.8 Kg	166 Kg	212 Kg
Grooved Weight	7.3	7.1	20.5 KG	25.9 Kg	71.7 Kg	77.6 Kg	83.8 Kg

**TABLE NOTES :**

- 1) L1 DIMENSIONS ARE FOR ANSI#150RF/ISO PN16 FLANGED VALVES.
- 2) L2 DIMENSIONS ARE FOR GROOVED (2"-8") AND ANSI#300RF/ISO PN25 VALVES.
- 3) ADD 45mm WHEN USING VISUAL POSITION INDICATOR, AND 120mm FOR ENCLOSED LIMIT SWITCH.
- 4) #2PBL FOR 8"-10"

\* ALL DIMENTIONS ARE IN METRIC mm UNLESS MENTIONED OTHERWISE

**NOTES:**

- 1). PROVIDE AMPLE CLEARANCE FOR FUTURE MAINTENANCE.
- 2). ALL DIMENSIONS ARE APPROXIMATED, E&OE.

THIS DOCUMENT IS BERMAD'S PROPERTY AND CANNOT BE USED BY OTHERS FOR ANY PURPOSE WITHOUT PRIOR WRITTEN CONSENT.

CATALOG No.	FP-42T-20 1½"-10".		
Project Name:	Material: Material		Finish: Finish
	DESCRIPTION: Pressure Reducing Valve, Flanged/Grooved With Hydraulic Check, 1½"-10".		
Doc. Code:			
NAME	DATE		
DESIGN	Eyal Barak	26.11.2014	File name: FP-04-42T-20-H
DRAWN	Eyal Barak	26.11.2014	SCALE: 1:3.5
APPROVED	Doron Eshel	26.11.2014	DWG No. 014973 WEIGHT [Kg]:
		SHEET 1 OF 1	REV. 0

