



EUROMAG
INTERNATIONAL

Measure > Sense > Innovate

SENSOR

MUT2300

Electromagnetic flow meter



DS401-0-ENG

Sensor MUT2300

The MUT 2300 sensors represent the state of the art of Euromag International production for water cycle and process applications. The innovative inner part of the sensor that increase considerably the liquid flow rate and the reading accuracy of sign generated to the electrodes, enables an extremely wide range of measurement.

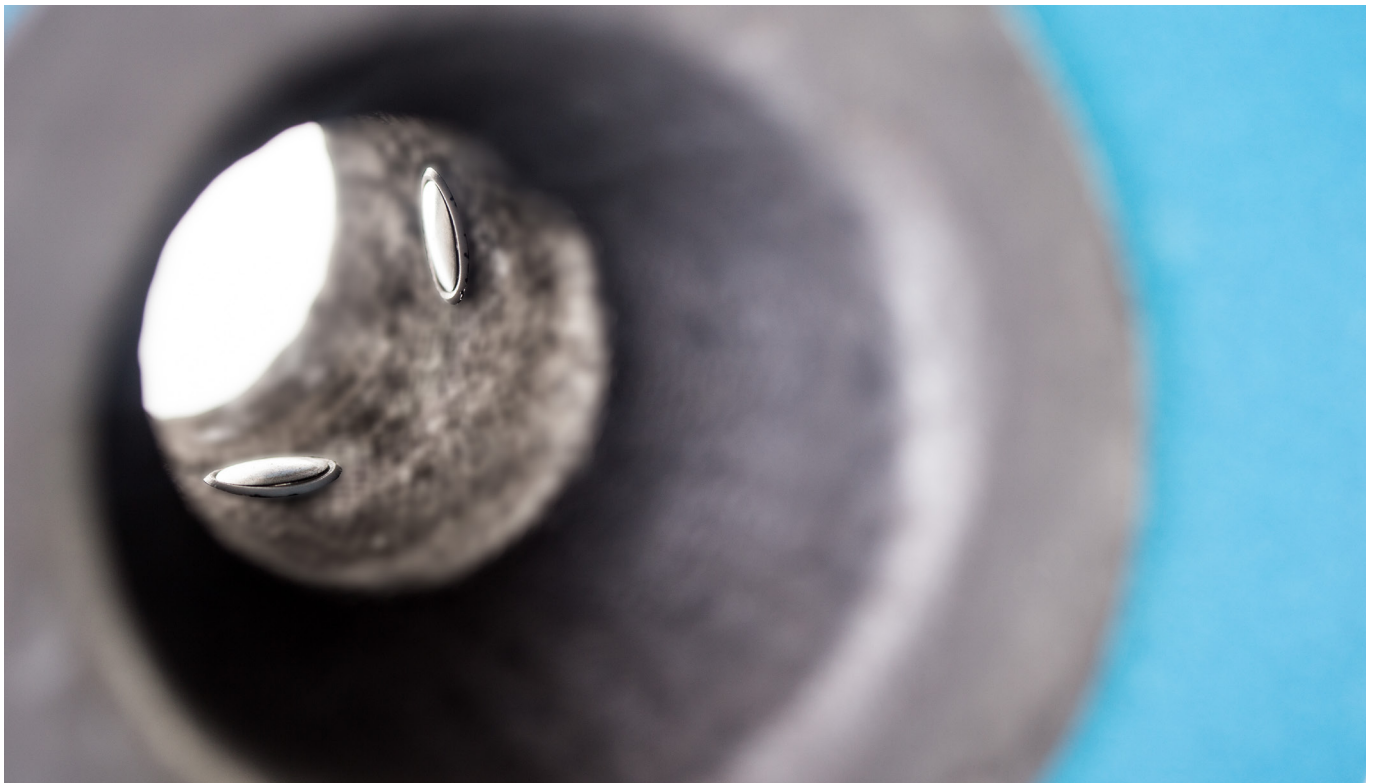
These performances allow to measure also low flow rates precisely and repeatable, even in difficult/problematic applications with solid parts.

This flanged sensor series bases its operation on the Faraday Principle, by which a conductor crossing a magnetic field generates an electrical potential perpendicular to the field itself. On the top and on the lower side of the stainless steel AISI 304 flow tube, two coils are installed; the magnetic field generated by

the electric current crossing the coils, induces in the electrodes a potential difference proportional to the flow rate.

With the aim of measuring such potential of very low values, the interior of the flow tube is electrically insulated, thus the process liquid is no longer in contact neither with the material of the flow tube nor with that of the flanges.

The converter used generates the current supplying the coils, acquires the electrodes potential difference, process the signal to calculate the flowrate and manages the communication with the exterior. The entire sensor has a IP68 degree protection suitable for a permanent immersion in water up to a depth of 1.5m.



Body and flange

The flanges and the sensor external surface are acrylic painted. This treatment gives the sensor an excellent resistance to water and external agents even in permanent immersion or buried. The MUT2300 may be supplied in stainless steel, flanges included, or with a special paint ideal for application in C4 class environment (UNI EN ISO 12944-2).

Internal lining

The standard internal insulating lining is in Hard rubber (Ebonite) in compliance with WRAS, FDA and DM174 standards. The liquid temperature can reach 80°C. Thanks to its high resistance to scraping, the Ebonite is considered the best material for fluids containing scattered solids for applications of water treatment, residual water, potable water and irrigation.

Electrodes

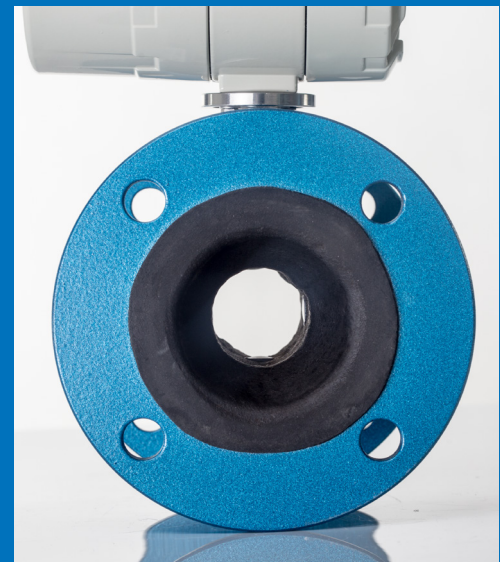
The standard electrodes are in Hastelloy C and therefore this guarantees a wide compatibility with process fluids. If required, they may be supplied in Hastelloy B, Titanium, Tantalum and Platinum. A partially empty tube detection (fourth electrode) is installed and can be enabled or disabled through the software.

Coupling and connection to the sensor

MUT 2300 sensors may be coupled with any Euromag converters. In the separate version the sensor is connected to the converter through a cable whose length depends on the liquid conductivity; the maximum length do not have to exceed 100 metres on the powered version and 30 metres on the battery version.

Neglectable pressure drop

The electro-magnetic flowmeters do not have any moving internal parts, thus they have a very low pressure drop. The OIML R-49 permits a maximum pressure drop of 630 mbar at velocity of about 8 m/s. The MUT2300 flowmeters, thanks to its unique design, projected to accelerate the flow and amplify the signal to the electrodes, grants a pressure drop less than 250 mbar at velocity of 8 m/s. The pressure drop is always less than 10 mbar at velocities lower than 1 m/s.



MUT2300 - MC608A



MUT2300 - MC406 VERTICAL



MUT2300 - MC406 VERTICAL



MUT2300 - MC608A

Installation with no upstream and downstream distances

The cone shaped section of the internal part of the sensor, allows an optimized and accelerated flow profile which permits to install the sensor in any kind of condition; no need to have straight sections/segments of pipes upstream and downstream.

This U0-D0 condition enables to have an extreme flexibility on the flowmeter installation position.

Calibration and maximum error

MUT2300 sensors belong to the reference Group B1 (ISO 11631). Each sensor is calibrated by a hydraulic bench equipped with a reference weighting system and ACCREDIA certified. The uncertainty of the measure is defined by the terms of OIML R49 regulation. The repeatability of the measure is about 0,1%. Bi-directional measure. Furthermore the sensors are certified OIMLR49 (if coupled to MC608 converters) and are compliant with MID01 norms (if coupled to MC406 converters) for custody transfer.

Standards reference

The Euromag magnetic flow meters are marked CE and are manufactured according to the following standards:

- 2006/95/CE, 93/68 (LVD)
- 2004/98/CE, 92/31 (EMC)
- European directive 2004/22/EC (MID) - Certificate n. T10713
- OIML R49-1:2013
- ISO 4064-1:2014 e EN-ISO 4064
- ATEX II 2 GD EEx mb IIC T4 U (pending)

Applications

- Measure of potable or reflow water
- Distribution, municipal water
- Industrial waste water
- Over night applications with very low flow rate
- Industrial process liquids, muds and concretes
- Installation in small places without straight distances
- Leakage detection
- Fiscal measures, irrigation

Advantages

No moving parts ■ No parts inside of the flowmeter ■ No obstruction on the flow tube ■ Very low pressure loss (below 1 m/s is irrelevant) ■ Long lasting stability and precision, no filter needed, zero maintenance ■ No periodic cleaning ■ Accurate measure at high flow rate (firefighting systems) and at low flow rates (overnight flow rates) ■ Extremely sturdy structure, a dedicated robot welds all the parts, internal parts protected by a bi-component resin in order to increase protection from external agents ■ Ideal for pit installations even for permanent immersion in water or buried installations ■ Bi-directional measure

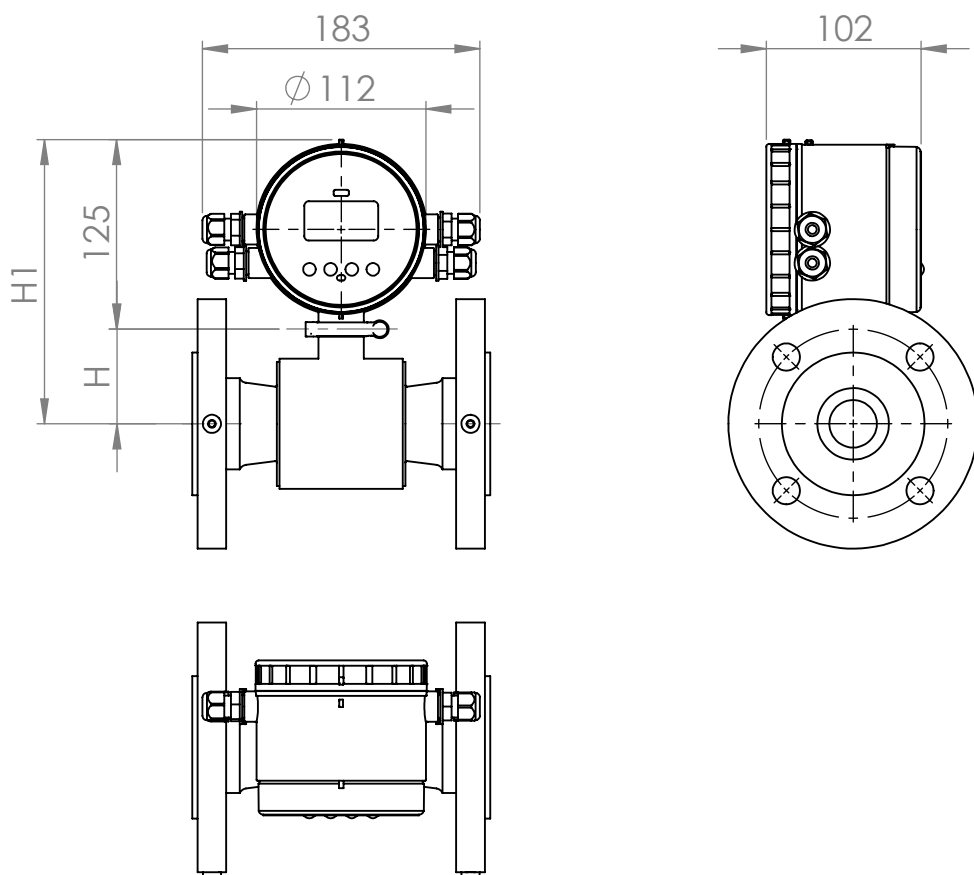
Technical features MUT2300

Flow tube material	AISI 304, AISI 316 (optional)								
Flanges material	Carbon steel (S235JR - 1.0037), AISI 304 optional, AISI 316 optional								
Available electrodes	Hastelloy C (standard), Hastelloy B, Titanium, Tantalum, Platinum								
Internal lining	Ebonite								
Liquid temperature	-40°C / + 80°C								
Available diameters	mm	50	65	80	100	150	200	250	300
	inches	2"	2½"	3"	4"	6"	8"	10"	12"
Standard flanged connections	EN1092-1 PN 16, ANSI 150								
Flanged connections on request	AS 2129 (Table D, E, F), AS 4087 (PN 16, 21), KS10K, others on request								
Standard operation pressure	16 bar								
Pressure drop class	ΔP25 (< 0,25 bar)								
Installation requirements/conditions	U0-D0								
Protection Degree	IP68 permanent submersion at 1,5 m (EN 60529)								
Convertes compatibility	MC608A/B/R/P, MC406								
Electrical connections	Cableglands M20 x 1.5 + terminal box + sealing resin								

Flow table

Sensor diameter	Flow [m3/h]				Ratio Q3/Q1
	Min. Q1	Trans. Q2	Perm. Q3	Overl. Q4	
DN 50	0,125	0,2	25	31,25	200
DN 65	0,2	0,32	40	50	200
DN 80	0,315	0,504	63	78,75	200
DN 100	0,5	0,8	100	125	200
DN 125	0,8	1,28	160	200	200
DN 150	1,25	2	250	312,5	200
DN 200	3,15	5,04	630	787,5	200
DN 250	5	8	1000	1250	200
DN 300	8	12,8	1600	2000	200

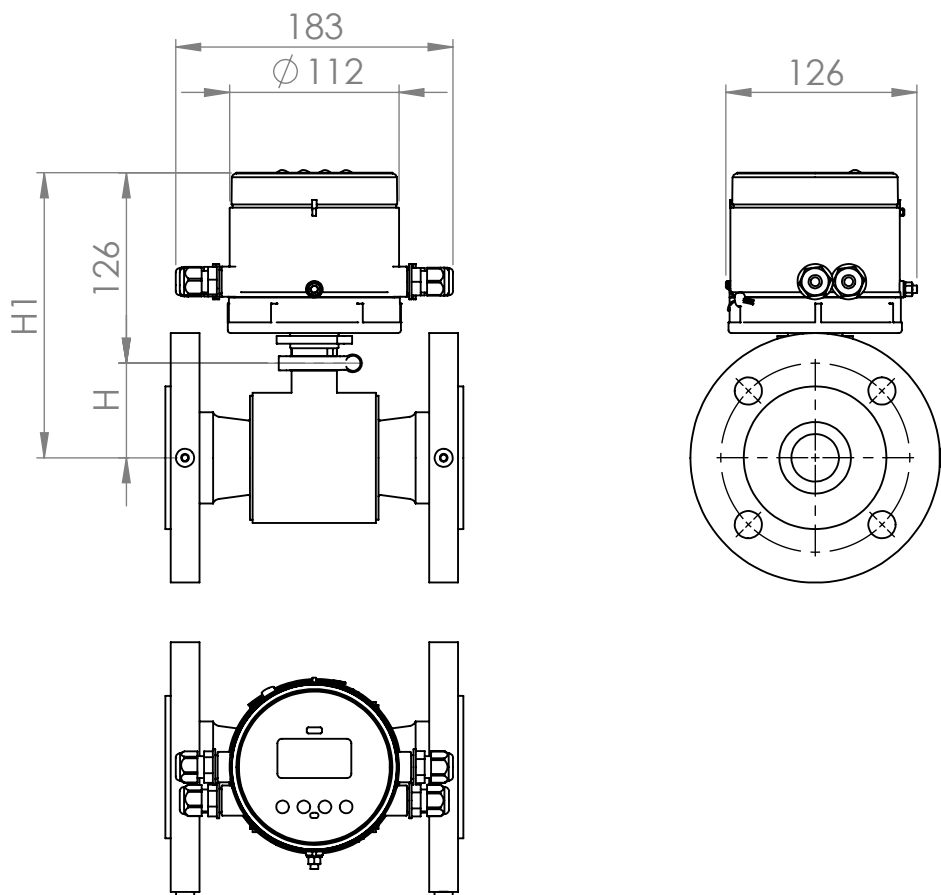
MUT2300 - MC406 HORIZONTAL



MC406 HORIZONTAL

DN	H	H1
50 - (2")	62	187
65 - (2" ½)	62	187
80 - (3")	71	196
100 - (4")	79	204
125 - (5")	106	231
150 - (6")	101	226
200 - (8")	147	272
250 - (10")	176	301
300 - (12")	207	332

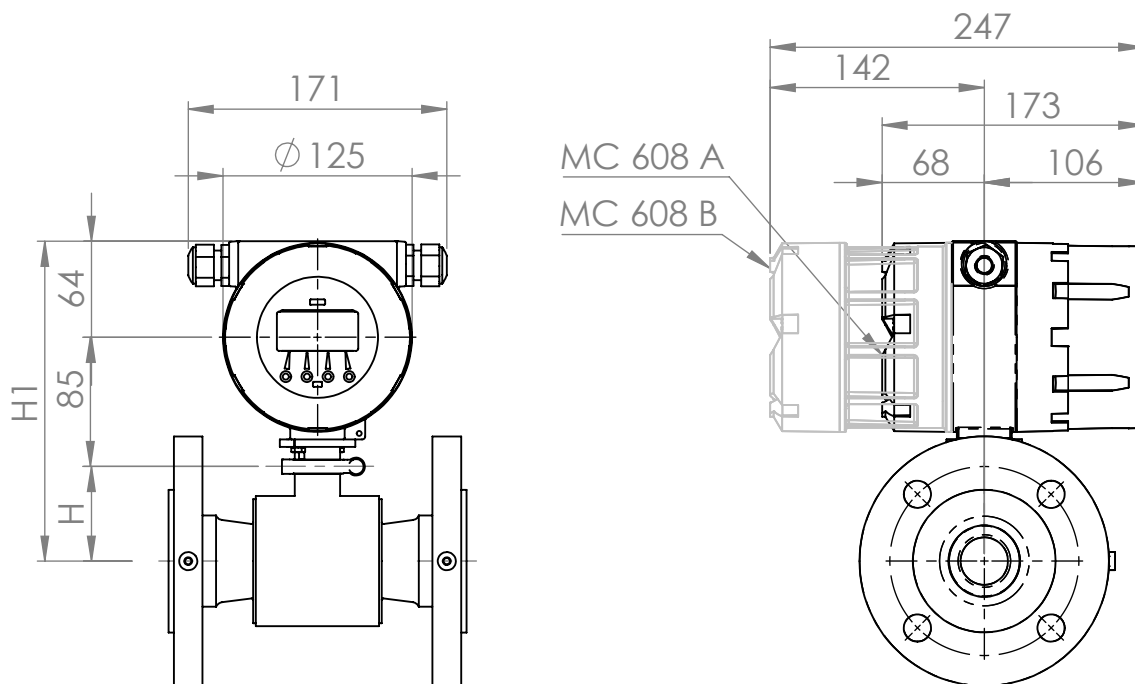
MUT2300 - MC406 VERTICAL



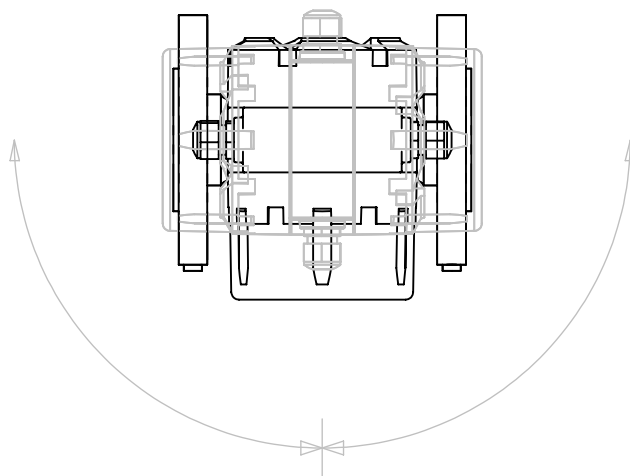
MC406 VERTICAL

DN	H	H1
50 - (2")	62	188
65 - (2" ½)	62	188
80 - (3")	71	197
100 - (4")	79	205
125 - (5")	106	232
150 - (6")	101	227
200 - (8")	147	273
250 - (10")	176	302
300 - (12")	207	333

MUT2300 - MC608 A/B/R



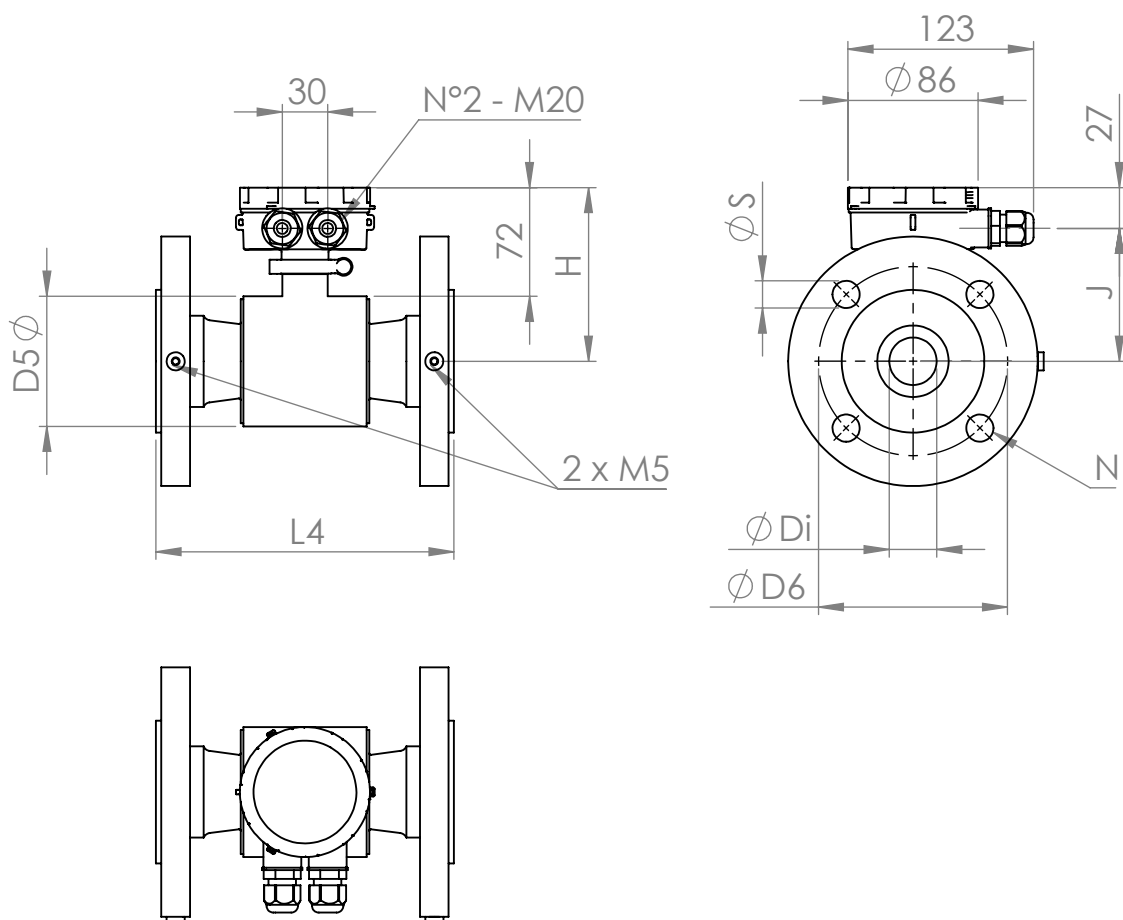
Possible rotation of the converter upper view



MC608 A/B/R

DN	H	H1
50 - (2")	62	211
65 - (2" ½)	62	211
80 - (3")	71	220
100 - (4")	79	228
125 - (5")	106	255
150 - (6")	101	250
200 - (8")	147	296
250 - (10")	176	325
300 - (12")	207	356

MUT2300 - SEPARATE



MUT2300 - EN 1092 / PN 16

DN	D5	L4	J	Di	D6	N	S	H
50	85	200 (+0/-3)	87,35	30,4	125	4	18	114,5
65	85	200 (+0/-3)	87,35	34,3	145	4	18	114,5
80	103	200 (+0/-3)	96,35	46,3	160	4	18	123,5
100	118	250 (+0/-3)	103,85	62,1	180	8	18	131
125	172	250 (+0/-3)	130,85	74,9	210	8	18	158
150	163	300 (+0/-3)	126,35	100	240	8	22	153,5
200	255	350 (+0/-3)	172,35	154,3	295	8	22	199,5
250	312	450 (+0/-5)	200,85	205	350	12	22	228
300	375	500 (+0/-5)	232,35	259	400	12	22	259,5

MUT2300 - ANSI 150

DN	D5	L4	J	Di	D6	N	S	H
2" - (DN 50)	85	200 (+0/-3)	87,35	30,4	120,65	4	19,05	114,5
2" ½ - (DN 65)	85	200 (+0/-3)	87,35	34,3	139,7	4	19,05	114,5
3" - (DN 80)	103	200 (+0/-3)	96,35	46,3	152,4	4	19,05	123,5
4" - (DN 100)	118	250 (+0/-3)	103,85	62,1	190,5	8	19,05	131
5" - (DN 125)	172	250 (+0/-3)	130,85	74,9	215,9	8	22,352	158
6" - (DN 150)	163	300 (+0/-3)	126,35	100	241,3	8	22,352	153,5
8" - (DN 200)	255	350 (+0/-3)	172,35	154,3	298,45	8	22,352	199,5
10" - (DN 250)	312	450 (+0/-5)	200,85	205	361,95	12	25,4	228
12" - (DN 300)	375	500 (+0/-5)	232,35	259	431,8	12	25,4	259,5

MUT2300 - AS 2129 / Table D

DN	D5	L4	J	Di	D6	N	S	H
50	85	200 (+0/-3)	87,35	30,4	114	4	18	114,5
65	85	200 (+0/-3)	87,35	34,3	127	4	18	114,5
80	103	200 (+0/-3)	96,35	46,3	146	4	18	123,5
100	118	250 (+0/-3)	103,85	62,1	178	4	18	131
125	172	250 (+0/-3)	130,85	74,9	210	8	18	158
150	163	300 (+0/-3)	126,35	100	235	8	18	153,5
200	255	350 (+0/-3)	172,35	154,3	292	8	18	199,5
250	312	450 (+0/-5)	200,85	205	356	8	22	228
300	375	500 (+0/-5)	232,35	259	406	12	22	259,5

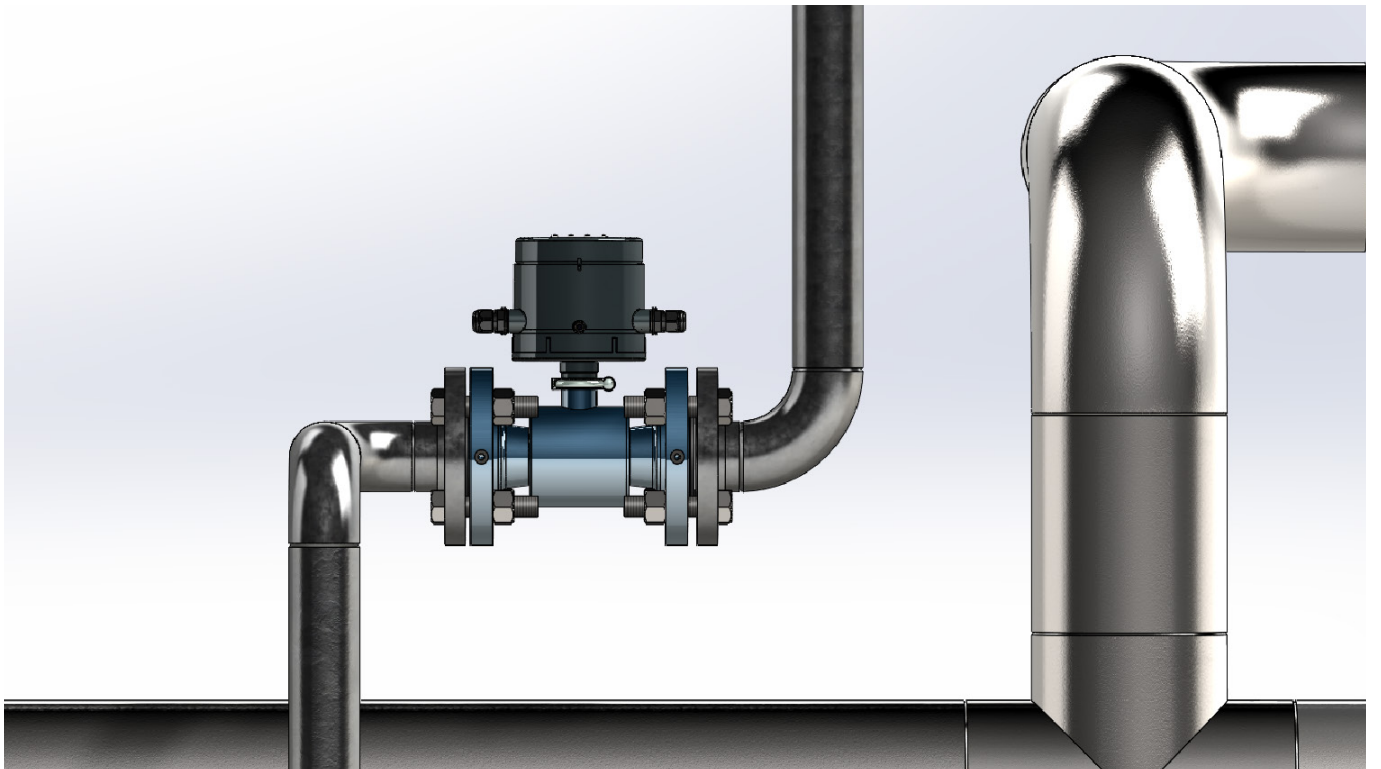
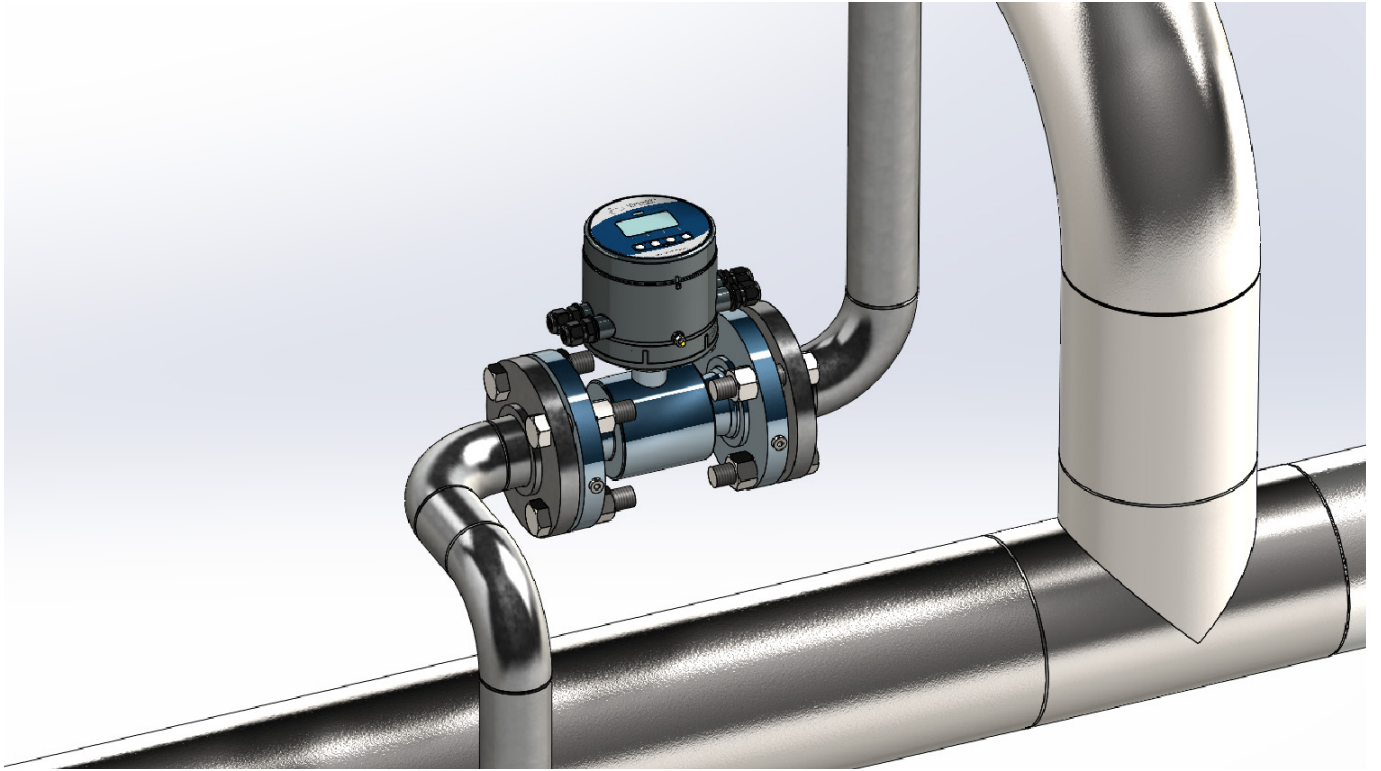
MUT2300 - AS 2129 / Table E

DN	D5	L4	J	Di	D6	N	S	H
50	85	200 (+0/-3)	87,35	30,4	114	4	18	114,5
65	85	200 (+0/-3)	87,35	34,3	127	4	18	114,5
80	103	200 (+0/-3)	96,35	46,3	146	8	18	123,5
100	118	250 (+0/-3)	103,85	62,1	178	8	18	131
125	172	250 (+0/-3)	130,85	74,9	210	8	18	158
150	163	300 (+0/-3)	126,35	100	235	8	22	153,5
200	255	350 (+0/-3)	172,35	154,3	292	8	22	199,5
250	312	450 (+0/-5)	200,85	205	356	12	22	228
300	375	500 (+0/-5)	232,35	259	406	12	26	259,5

MUT2300 - AS 4087 / PN 16

DN	D5	L4	J	Di	D6	N	S	H
50	85	200 (+0/-3)	87,35	30,4	114	4	18	114,5
65	85	200 (+0/-3)	87,35	34,3	127	4	18	114,5
80	103	200 (+0/-3)	96,35	46,3	146	8	18	123,5
100	118	250 (+0/-3)	103,85	62,1	178	4	18	131
125	172	250 (+0/-3)	130,85	74,9	210	8	18	158
150	163	300 (+0/-3)	126,35	100	235	8	18	153,5
200	255	350 (+0/-3)	172,35	154,3	292	8	18	199,5
250	312	450 (+0/-5)	200,85	205	356	8	22	228
300	375	500 (+0/-5)	232,35	259	406	12	22	259,5

Zero upstream and downstream distances



Measure > Sense > Innovate

All rights reserved. No part of this catalogue may be reproduced, stored in a database or otherwise used without the authorisation of Euromag. The policy of Euromag is dictated by the continuing technological and project innovation. Therefore, the Company reserves the right to amend the data contained herein without notice.



DS401-0-ENG

For more information or to speak to one of our staff, call the number in your state.
www.bermadmeters.com.au

Victoria

Tel: 03 9464 2374
26 Brand Drv
Thomastown 3074

New South Wales

Tel: 02 9746 1788
31/42-50 Hampstead Rd
Homebush West 2140

Queensland

Tel: 07 3205 3431
105/193 South Pine Rd
Brendale 4500

South Australia / NT

Tel: 08 8359 8696
2/43 Douglas Drv
Mawson Lakes 5095

Western Australia

Tel: 08 9227 0014
11/117 Brisbane St
Northbridge 6003

Enquiries

info@bermad.com.au
www.bermadmeters.com.au