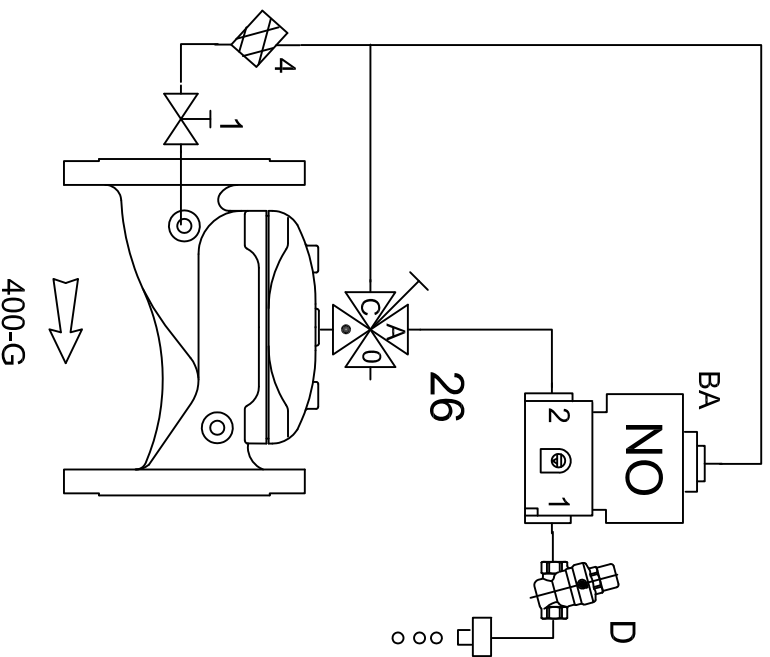
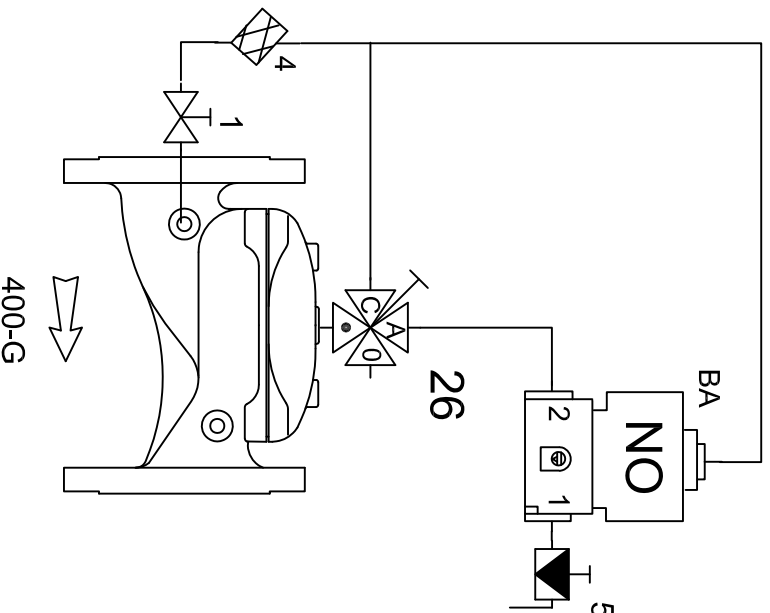


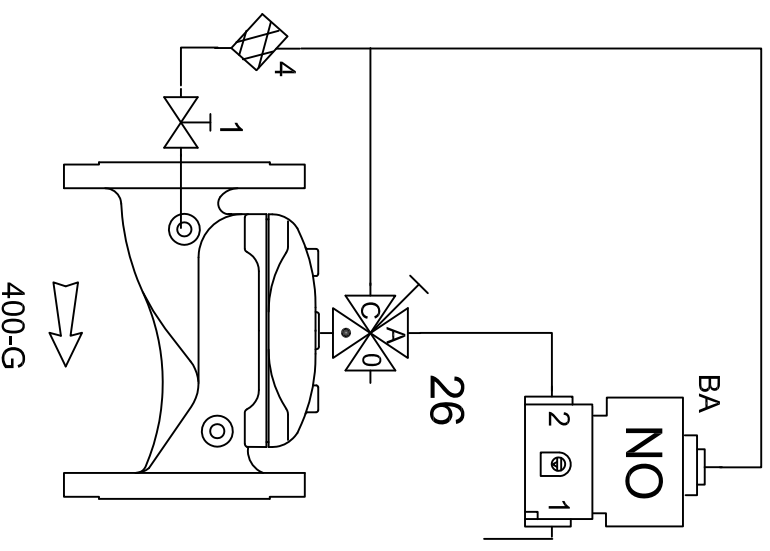
Solenoid control with manual tap
for open close ,auto with slow
opening dripper for pressures
greater than 500Kpa



Solenoid control with manual tap
for open close ,auto with needle
valve for controlled opening



Solenoid control with manual tap
for open close ,auto



Components	
#1	Inlet ball valve
#4	Inlet strainer
#26	Three way manual valve SAGIV
#BA	3 way NO solenoid 1.6mm
#5	1/2"needle valve
D	Direct PRV c/w 4 l/hr PC dripper
#400-G	Bernad 400 series valve

Coil voltages	
Standard	24V/AC
Optional	24V/DC
Optional	110V/AC
Optional	240V/AC

Not to Scale

Email Address
colin@bermad.com.au

Revision Number / Date

Bernad Water Technologies
26 Brand Drive , Thomastown , Vic 3074
Ph (03) 9464 2374 Fax (03) 9464 2382

Project : **Pivot solenoid valves 410**

Drawn by :
Date :

Drawing Number :

