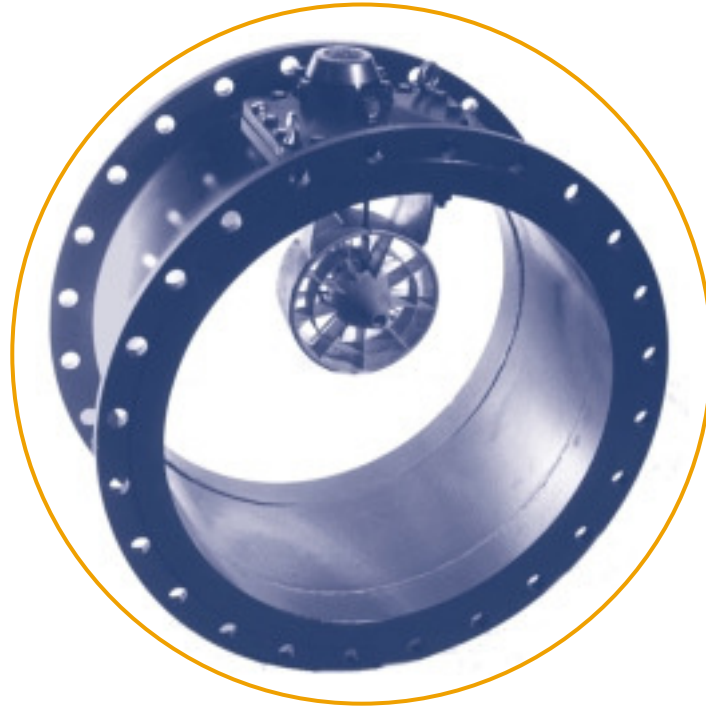


# WP QF

## Turbine Water Meter for cold water up to 50 °C, DN 500 ... DN 800



### Special Features

- Sealed water-proof register (IP 67)
- Sealed register may be rotated through 360°
- Up to 3 pulsers can be fitted without breaking the meter seal
- Maximum corrosion protection by powder coating
- Not affected by external magnetic fields
- Interchangeable measuring element
- Performance data better than class B

### Application

Measurement of high, relatively constant flowrates in long distance pipes

### Pattern Approval Sign

D80	Nominal Diameter DN 500
6.132.01	Marking: Metrological class B 30 °C

**UK & Ireland Enquiries**  
Sensus Metering Systems  
11 The Quadrangle, Abbey Park,  
Romsey, Hampshire SO51 9DL UK  
T: +44 (0) 1794 526100  
F: +44 (0) 1794 526101  
Email: [info.gb@sensus.com](mailto:info.gb@sensus.com)

[www.sensus.com](http://www.sensus.com)


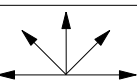
**International Enquiries**  
Sensus Metering Systems GmbH Ludwigshafen  
Industriestrasse 16,  
67063 Ludwigshafen Germany  
T: +49 (0) 621-6904-0  
F: +49 (0) 621-6904-1409  
Email: [info.int@sensus.com](mailto:info.int@sensus.com)

[www.sensus.com](http://www.sensus.com)



Bermad Water Technologies Ph (03) 9464 5421

# Installation

Pipe	horizontal vertical inclined	
Meter head	upwards sideways	

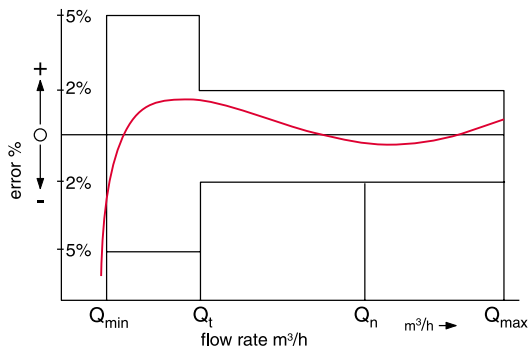
## Installation Requirements

- Unrestricted straight pipe in front of the meter 5 x DN
- No abrupt restrictions directly behind the meter

# Performance Table

Nominal Diameter	DN	500	600	700	800
Size of meter (acc. to EEC)	$Q_n$	1 500	---	---	---
Maximum peak flow (few minutes) $\pm 2\%$	$Q_{max}$	4 500	6 500	9 000	12 000
Continuous flow $\pm 2\%$	$Q_n$	3 000	3 300	4 500	6 000
Transitional flow $\pm 2\%$	$Q_t$	60	180	250	320
Minimum flow $\pm 5\%$	$Q_{min}$	45	100	130	210
Starting flow	$m^3/h$	20	40	50	60

## Typical Accuracy Curve



$Q_{max}$  = maximum peak flow

$Q_n$  = continuous flow

$Q_t$  = transitional flow  $\pm 2\%$

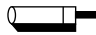
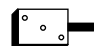
$Q_{min}$  = minimum flow  $\pm 5\%$

## Head loss

DN 500 ... DN 800

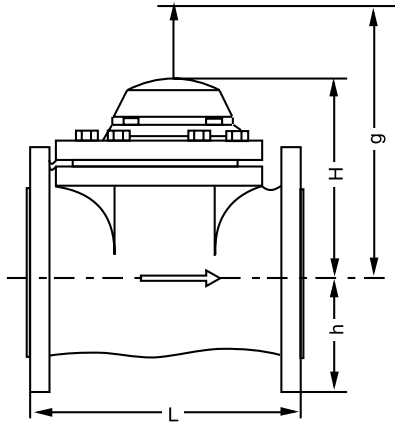
Headloss at  $Q_{max} < 0,1$  bar

## Pulse Values

Pulser		DN 500 ... DN 800 1 pulse $\Delta$ ... $m^3$
R 01		10 $m^3$ 100 $m^3$
OP 01		0.10 $m^3$

Other pulse values on request

## Dimension Picture



## Dimensions

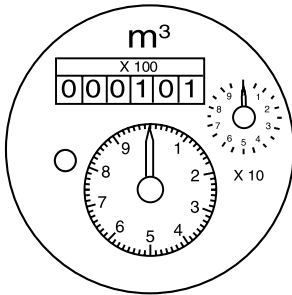
Nominal Diameter		DN	500	600	700	800
Size of meter		Q <sub>n</sub>	1500	---	---	---
Overall length	L	mm	500	500	600	600
Height	H	mm	412	470	520	570
	h	mm	353	420	455	512
	g	mm	860	920	970	1020

Other overall lengths on request

## Weights

Nominal Diameter		DN	500	600	700	800
Size of meter		Q <sub>n</sub>	1500	---	---	---
Meter		kg	256	270	260	270
Measuring element		kg	28	28	28	28
Body		kg	228	242	232	242

## Dial



WP QF

## Materials

Nominal Diameter	DN 500 and DN 600	DN 700 and DN 800
Body	cast iron	welded steel
Measuring element	plastic	
Rotor	plastic	
We also use the following materials	brass, stainless steel	

## WP QF

## Order Text

---

Quantity: .....

Specification: WP QF

Nominal Diameter: DN .....

Size of meter:  $Q_n$  .....

Working temperature: 50 °C

Working pressure: PN 16

Metrological class: A / B

Overall length L: ..... mm

Flange drilling: acc. to DIN 2501, PN 16

Certification: with / without

## Order Example

---

Quantity: 2

Specification: WP QF

Nominal Diameter: DN 500

Size of meter:  $Q_n$  1500 m<sup>3</sup>/h

Working temperature: 50 °C

Working pressure: PN 16

Metrological class: B

Overall length L: 500 mm

Flange drilling: acc. to DIN 2501, PN 16

Bermad Water Technologies  
Ph (03) 9464 5421  
[www.bermad.com.au](http://www.bermad.com.au)

---

**WP QF**