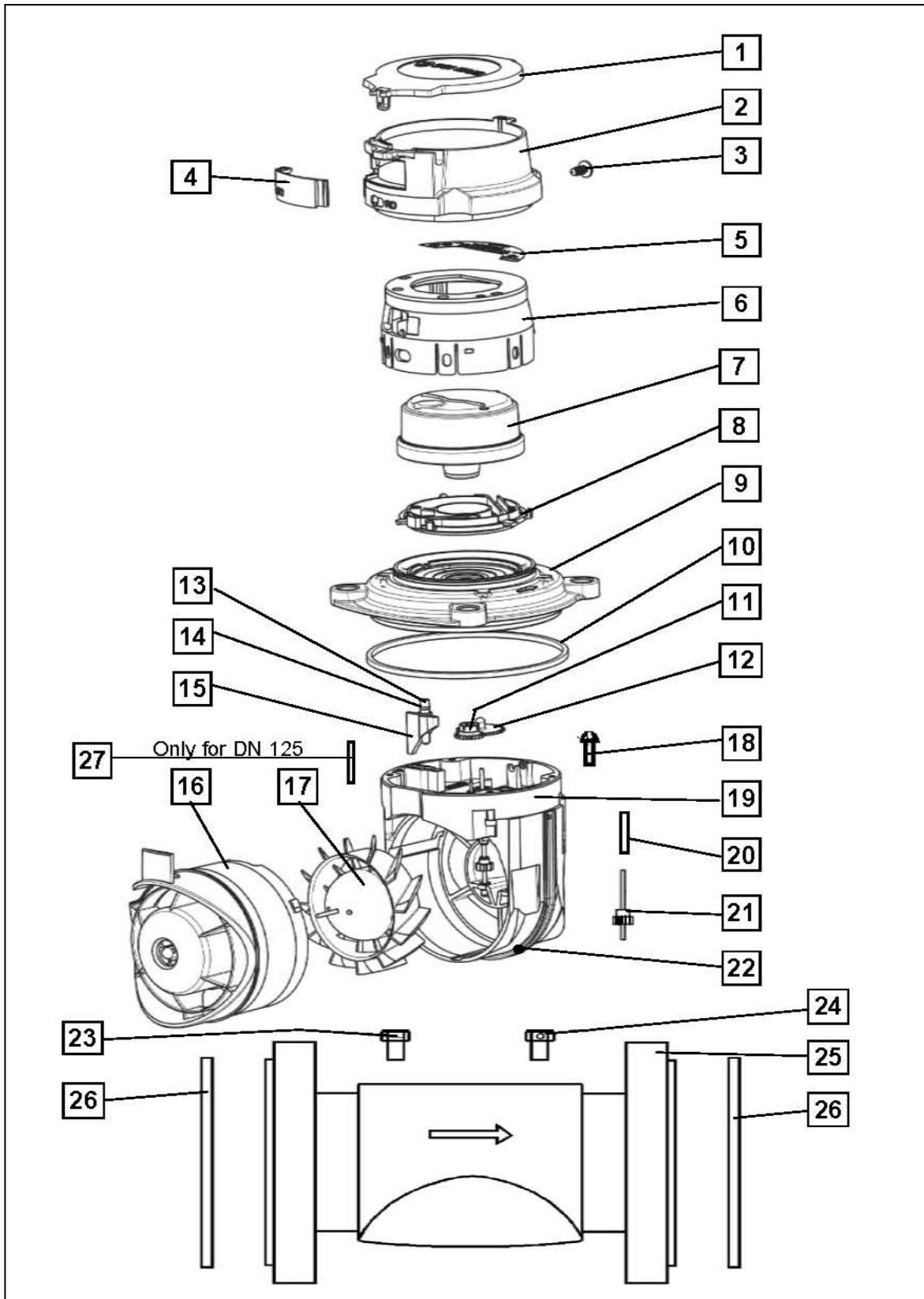


## Exploded view: MeiStream 40...150



## **Disassembly of MeiStream Standard register**

01. Unlatch the lid (1) from the hinge of the sliding ring (2)
02. If there is one, remove the wire seal from the sliding ring (2)
03. Remove the sealing plug (3) from the sliding ring (2) by quarrying it out.  
An alternative method for removal is drilling a hole of 3mm in the centre of the plug.  
The plug is damaged when removed and has to be replaced when assembled again
04. Open the cover plate of the OD (4) on the left side and remove it. Hold the head ring (6) and move the sliding ring (2) all the way to the right. Remove the sliding ring.
05. Carefully push the six clips of the head ring (6) towards the outside by about 1mm by using a screwdriver while simultaneously pulling the head ring towards the top
06. Remove the register (7) and the centre ring (8) from of the head ring (6) by pushing them towards the bottom

## **Assembly of MeiStream Standard register**

01. Insert the register (7) with the glass side first into the head ring (6)  
Note: the anti-twist device in the glass has to fit into the slot of the head ring
02. Insert the centre ring (8) with its inscription "1234" pointing towards the bottom into the head ring (6)  
Note: the 3 hubs on the outside of the centre ring have to fit into the slots on the inside of the head ring
03. Latch all clips
04. Fit the sliding ring (2) from the top over the head device and turn clockwise all the way
05. Fit the cover plate (4) into the opto window on the right side of the sliding ring and latch it in on the left side
06. Fit the sealing plug (3) into the hole of the sliding ring (2) below the hinge of the lid and push it all the way in
07. Latch the lid (1) into the hinge of the sliding ring (2)