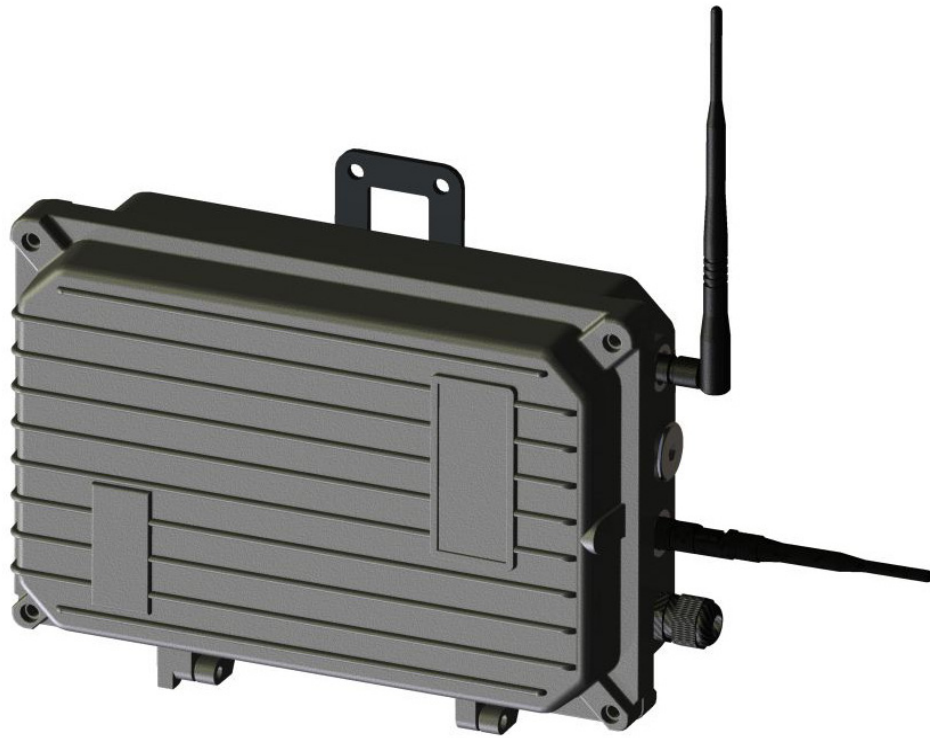


# SensusRF Gateway



## Application

Compact Gateway for fixed Radio network which can interface with:

Short Range Devices (SRD)

- SensusRF Radio Endpoints like iPERL
- SensusRF Repeaters

Long Range Radio (LRR)

- GPRS
- Ethernet

Designed to receive meter data of meter Endpoints in periodical interval or communicate on demand and transfer the data on the long range via GPRS (Ethernet) communication

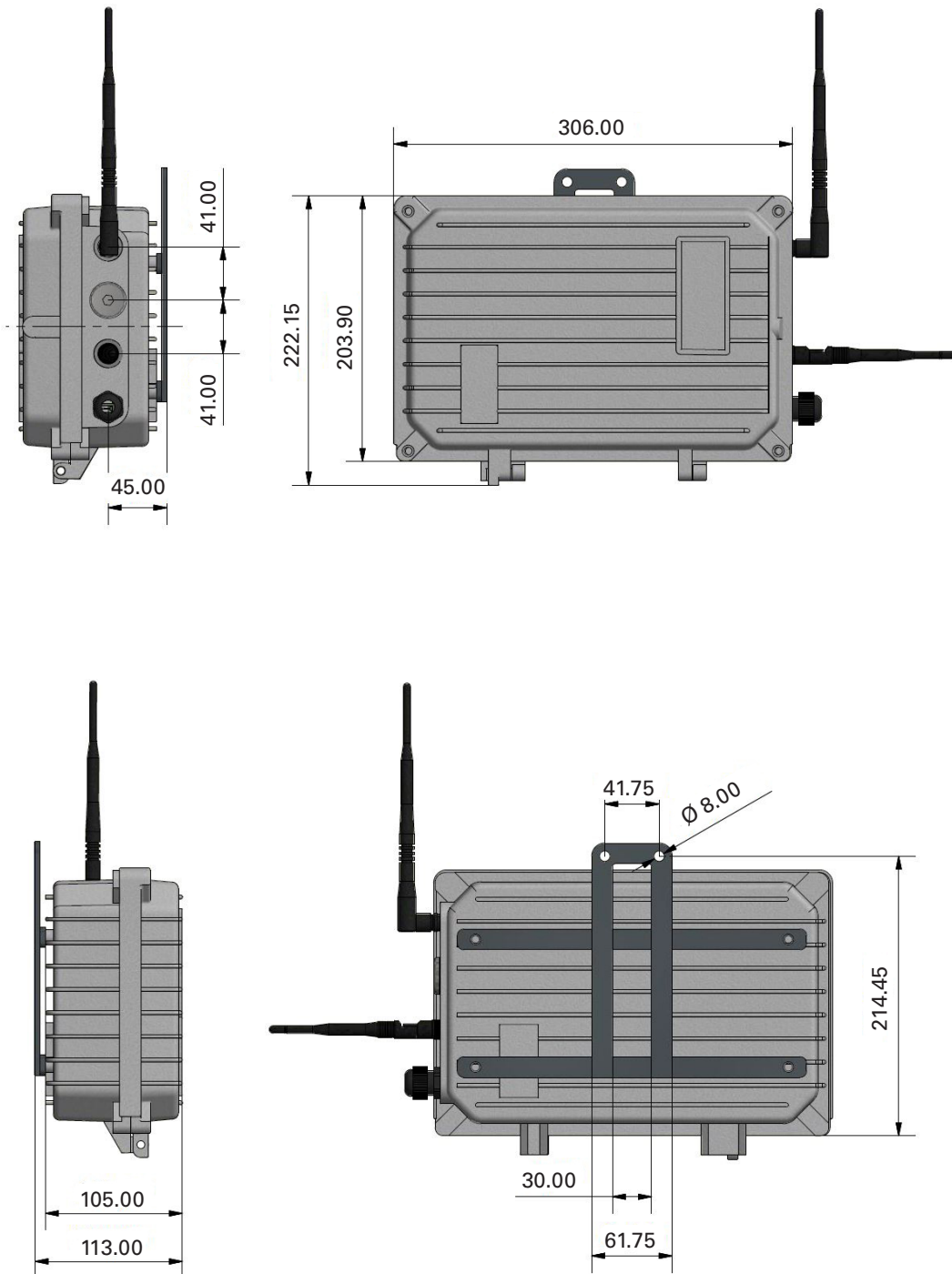
## Overview

The Gateway can handle up to 1000 Endpoints (meters).

At 868 MHz the distance to the meter Endpoint is line of sight 500 m, under normal conditions outside a building 100 m to 300 m, hard conditions e.g. pit installation 50 m to 100 m.

The distance to SensusRF Radio Repeaters can be more than 1 km LoS (Line of sight) at 868 MHz and up to 350 m LoS at 433 MHz.

# Dimensions



## Features

Input	SensusRF Radio protocol 868 MHz (433 MHz)
Number of inputs	Up to 1000 Endpoints (512 KB flash, 128 KBRam)
GSM/GPRS	GSM/GPRS quad-band
Housing	IP 65 Aluminium alloy, UV resistant
Installation	Fixing on a pole/wall with screws back support
Power supply	65..285 VAC Optional: Auxiliary 12-24 DC, i.e. solar panel , consumption 8.2 Watt
	Internal NiMH Backup Battery to cover power failure up to one hour
Radio Power	Endpoint <> Gateway 25mW (868 MHz) Repeater <> Gateway 100mW (868 MHz) In 433 MHz all links are 10mW
Configuration Interface	via GPRS, Ethernet, – remote upgrade over the air, USB local
Reading Interface	GSM/GPRS and Ethernet
Environmental temperature	-20 °C ...+70 °C operating and storage
Environment	Attention on hard environment, cold, dirty, wet. Outdoor installation with direct sunshine
AMR integration	CAS IRIS communication server CAS Hemera™ Platform – SmartWater™ Module
Approvals	CE Anatel approval RoHS Compliance R&TTE Directive 99/5/EC (433 MHz and 868 MHz) EN300 220-2 EN301 489-3 und -7 EN301 511 EN 60950-1:2006/A12:2011



**qualityaustria**  
Succeed with Quality

Certified according to ISO 9001  
Quality Management System Quality Austria Reg.no. 3496/0



#### UK & Ireland Enquiries

Sensus UK Systems Ltd, 3 Lindenwood Crockford Lane, Chineham Business Park  
Basingstoke RG24 8QY UK  
T: +44 (0) 1794 526100 F: +44 (0) 1794 526101 Email: info.gb@sensus.com [www.sensus.com](http://www.sensus.com)

#### International Enquiries

Sensus GmbH Hannover, Meineckestraße 10, D-30880 Laatzen Germany  
T: +49 (0) 5102 74-0 F: +49 (0) 5102 74-3341 Email: info.int@sensus.com [www.sensus.com](http://www.sensus.com)