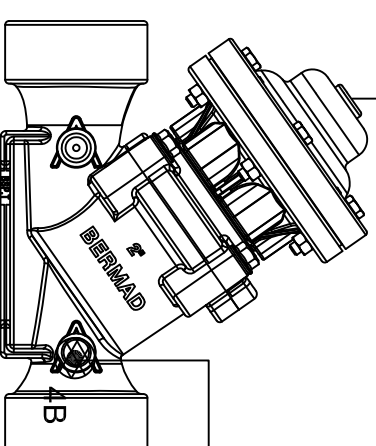
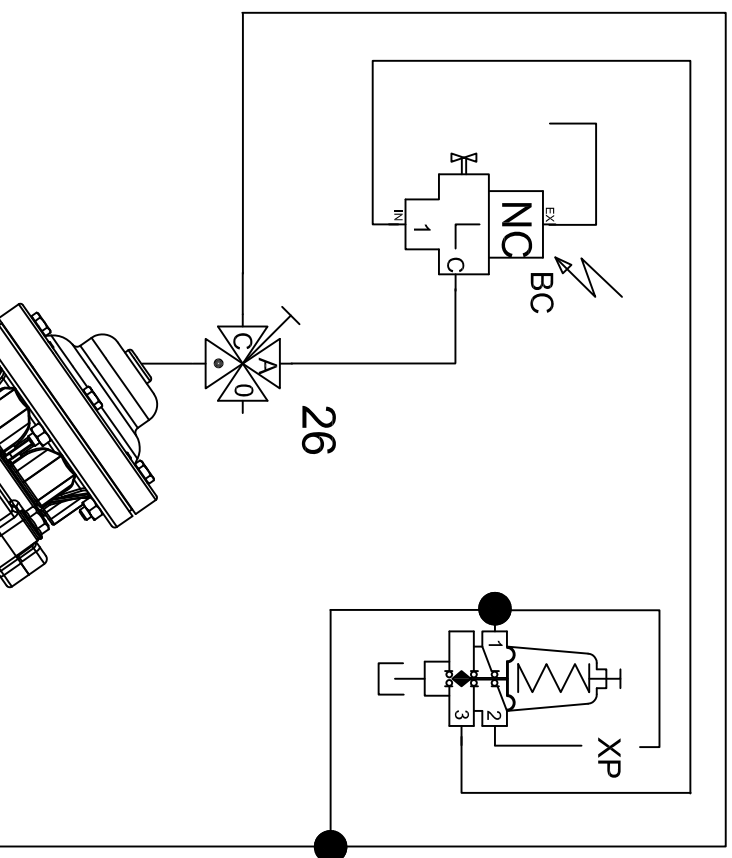


Components	
#4B	Finger Filter
#26	Three way tap (SAGIV)
#BC	3 way NC S-390 solenoid 24VAC
#XP	Sharp 3 way positioning pilot
Tubing	8mm plastic



**Function**  
 On filter flush select master valve option  
 No power to the coil valve is 100% open  
 Power to the solenoid valve sustains fast

**Not to Scale**

Email Address  
 colin@bermad.com.au

Revision Number / Date

**Bermad Water Technologies**  
 26 Brand Drive, Thomastown, Vic 3074  
 Ph (03) 9464 2374 Fax (03) 9464 2382

Project : Bermad model IR-2-130-59-XZ  
 No solenoid valve with power to sustain fast acting

Drawn by :  
 Date :

Drawing Number :

