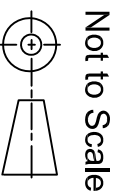
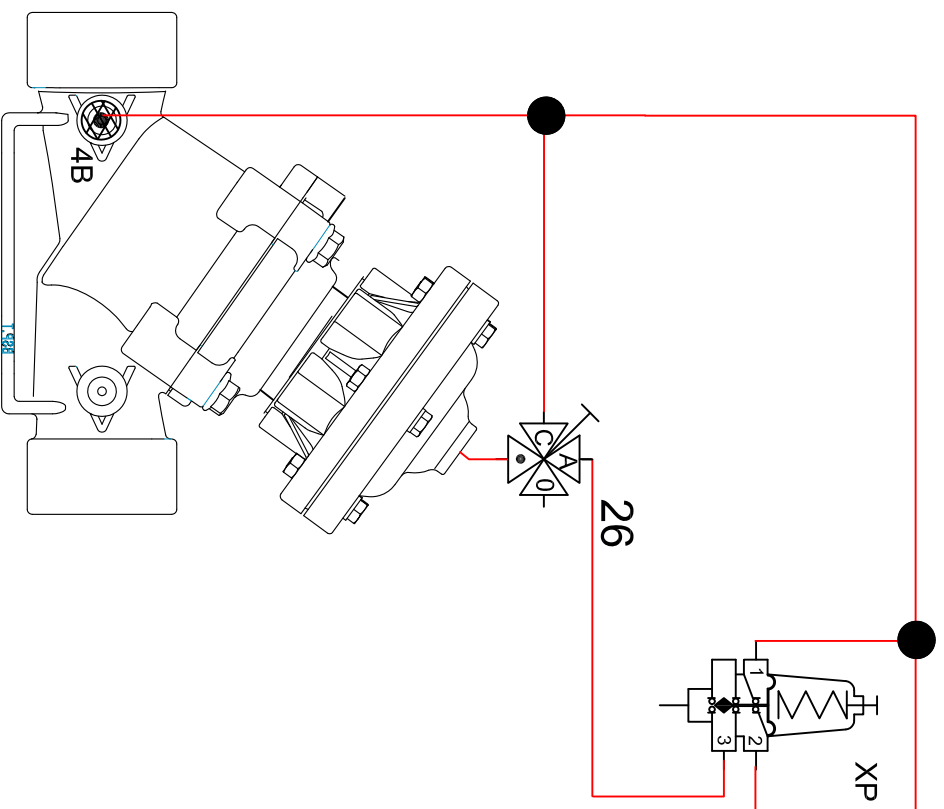


Components	
#4B	Finger filter
#26	Sagiv
#XP	PC-A-X-SHARP three way pilot
Valve	100-DC double chamber valve
Fittings	FT series plastic
Tube	8mm



Email Address
colin@bermad.com.au

Revision Number / Date

Bermad Water Technologies
7 Inglewood Drive, Thomastown, Vic 3074
Ph (03) 9464 5949 Fax (03) 9464 2382

Project : Irrigation
model IR-2-130-DC-XZ-PCP
pressure sustaining valve

Drawn by :
Date :

Drawing Number :