



Special Features

- Simple installation
- Pulsers can be fitted without breaking the meter seal
- Two different pulse values



Reed RD

Application

- RD 01 and RD 011 for cold water meters up to 50 °C
- RD 02 and RD 022 for hot water meters up to 130 °C
- RD 01 and RD 02 for remote counters and batching systems
- RD 011 and RD 022 for heat meters
- RD 022 Ex for use in explosive environment

Available design

Pulser	Temperature	Order No.
RD 01	50 °C	11 78 01
RD 02	130 °C	11 78 02
RD 011	50 °C	11 78 03
RD 022	130 °C	11 78 04
RD 022 Ex	50 / 130 °C	18 20 29

UK & Ireland Enquiries
 Sensus Metering Systems
 11 The Quadrangle, Abbey Park,
 Romsey, Hampshire SO51 9DL UK
 T: +44 (0) 1794 526100
 F: +44 (0) 1794 526101
 Email: info.gb@sensus.com

www.sensus.com

International Enquiries
 Sensus Metering Systems GmbH Ludwigshafen
 Industriestraße 16,
 67063 Ludwigshafen Germany
 T: +49 (0) 621-6904-0
 F: +49 (0) 621-6904-1409
 Email: info.int@sensus.com

www.sensus.com

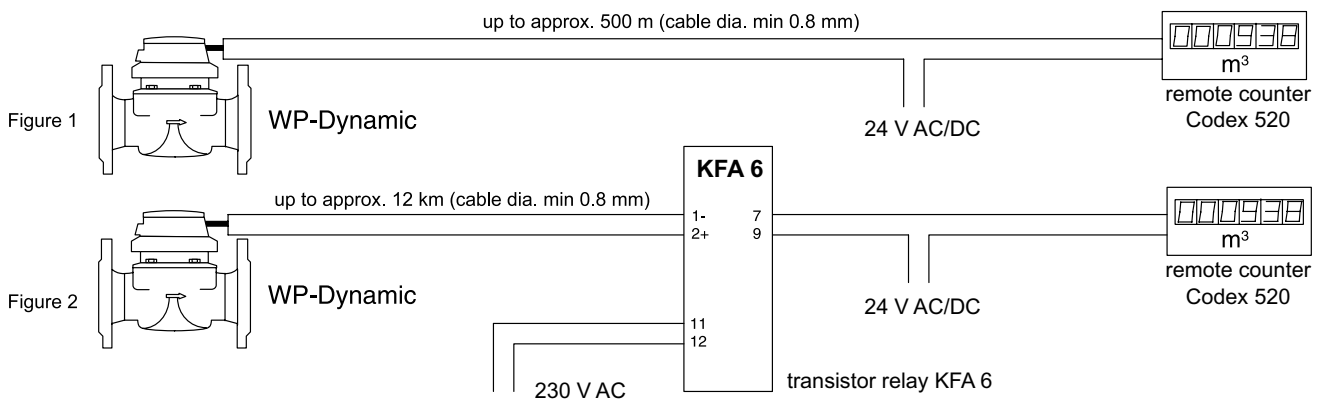
Performance Data

Switching component	Reed switch, plug type	
Switch protection RD 01/02	surge limiting resistor and voltage limiting varistor (VDR) switching voltage $U_{max} = 48 \text{ V AC/DC}$ switching current $I_{max} = 0.2 \text{ A}$ switching power $P_{max} = 4 \text{ W}$	
Switch protection RD 011/022	surge limiting resistor switching voltage $U_{max} = 125 \text{ V AC/DC}$ switching current $I_{max} = 0.035 \text{ A}$ switching power $P_{max} = 2 \text{ W}$	
RD 022 Ex	surge limiting resistor switching voltage $U_{max} = 28 \text{ V AC/DC}$ switching current $I_{max} = 0.035 \text{ A}$ switching power $P_{max} = 0.98 \text{ W}$	
Pulse duration	depending on flow in the meter at meter stop continuous pulse possible	
Protection	IP 68 (DIN 40050)	
Temperature range	RD 01/011: ambient temperature $t_{amb} \leq 70 \text{ }^\circ\text{C}$ medium temperature $t_m \leq 50 \text{ }^\circ\text{C}$	
	RD 02/022: ambient temperature $t_{amb} \leq 70 \text{ }^\circ\text{C}$ medium temperature $t_m \leq 150 \text{ }^\circ\text{C}$	
Connection cable	length 3 m	

Pulse Values

Size of meter	DN	RKD / RPD 1 pulse $\hat{=}$...	40 ... 125 1 pulse $\hat{=}$...	150 ... 300 1 pulse $\hat{=}$...	DN 400 1 pulse $\hat{=}$...
Cold water meter	Standard	0.1 m ³ 0.01 m ³	1 m ³ 0.1 m ³	10 m ³ 1 m ³	100 m ³ 10 m ³
	with a special register	-	1 m ³ 0.01 m ³	10 m ³ 0.1 m ³	100 m ³ 10 m ³
Hot water meter	Standard	-	0.25 m ³ 0.1 m ³	2.5 m ³ 1 m ³	-
	with a special register	-	0.25 m ³ 0.025 m ³	2.5 m ³ 0.25 m ³	-

Wiring Examples



RD