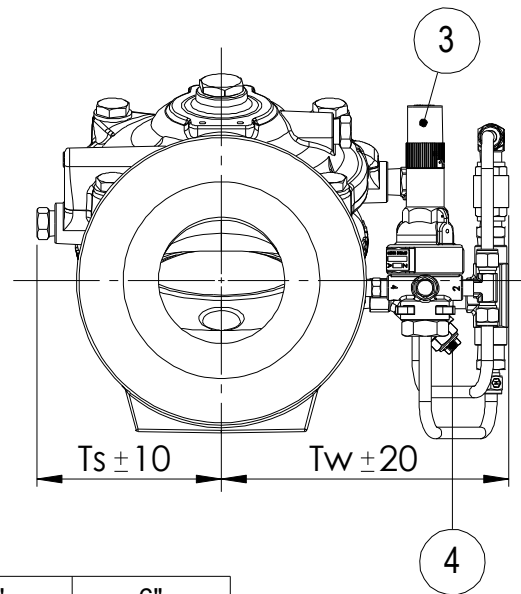
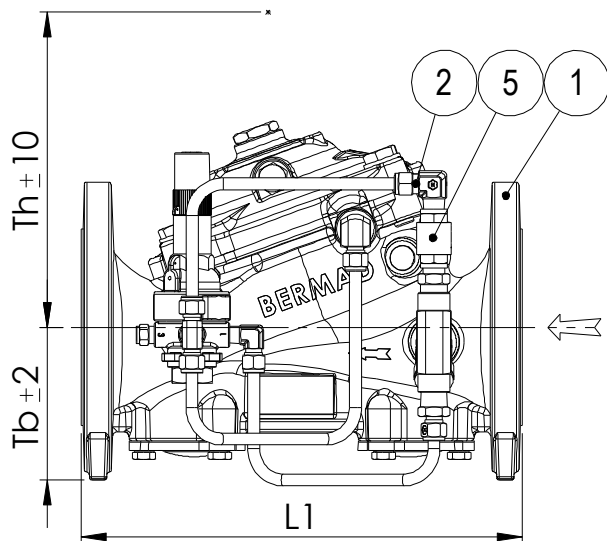


Item No.	Description	Qty
1	Main Valve Bermad 400-Y Series	1
2	Restricting orifice insert	1
3	Pressure Relif Pilot Valve 3-PB	1
4	Priming Y Filter	1
5	Check Valvae (Option)	1

Options:

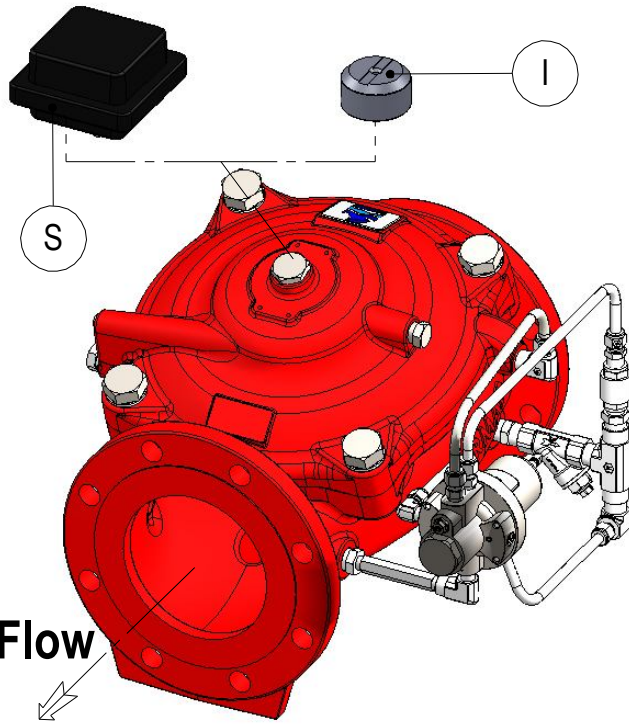
I	Valve Position
S	Limit Switch Assembly



Valve Size	3"	4"	6"
DN	80	100	150
L1	310	350	480
Ts	100	145	160
Tw	210	225	240
Tb	100	120	140
Th	190	245	285

Note: Dimension in mm

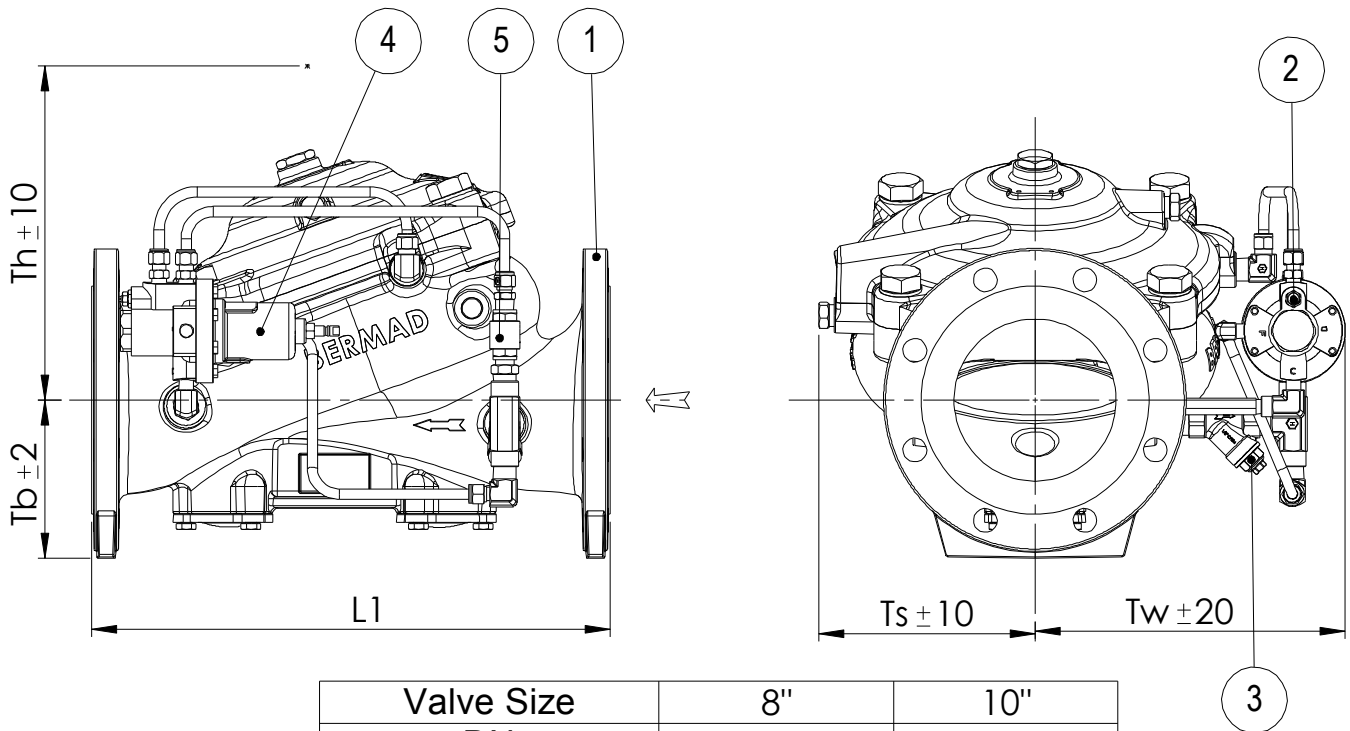
400E-43T_3-6in		-		-	
CATALOG No.		MATERIAL		SPECIFICATION	
	PROJECT No:		ITEM NO	DESCRIPTION: Model 43T Pressure Relief Valve	
	DESIGN	D.E	17.02.2012		
DRAWN	L.W	28.06.2012			A4
APPROVED	E.G	12.07.2012			
			DWG No. 002297	SCALE: -	REV. 00
				SHEET 1 OF 1	



Item No.	Description	Qty
1	Main Valve Bermad 400-Y Series	1
2	Adjustable needle valve	1
3	Priming Y Filter	1
4	Pressure Reducing Pilot Valve 3-UL	1
5	Check Valve (Option)	1

Options:

I	Valve Position Indicator
S	Limit Switch Assembly



Valve Size	8"	10"
DN	200	250
L1	600	730
Ts	172	204
Tw	320	350
Tb	172	204
Th	336	336

Note: Dimension in mm

400E-43T_8-10in		-	-
CATALOG No.		MATERIAL	SPECIFICATION
	PROJECT No:	ITEM NO	DESCRIPTION: Model 43T Pressure Relief Valve
	NAME	DATE	
DESIGN	D.E	17.02.2012	
DRAWN	L.W	28.02.2012	
APPROVED	E.G	12.07.2012	
		DWG No. 002298	SCALE: -
		SHEET 1 OF 1	
		REV. 00	