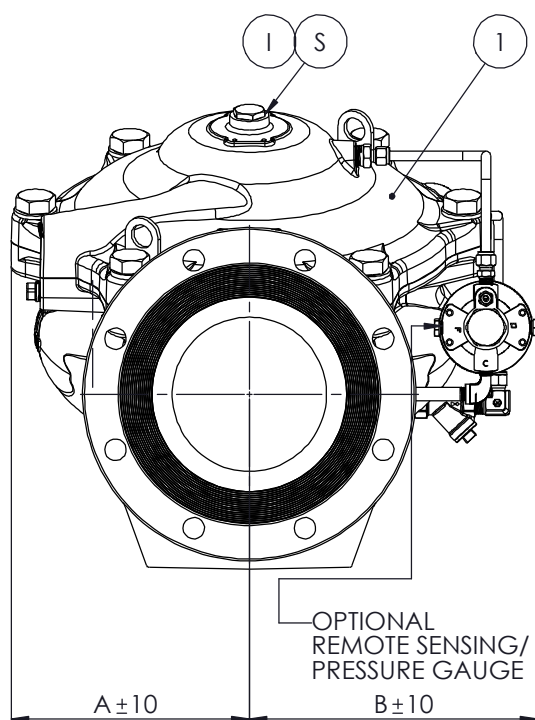
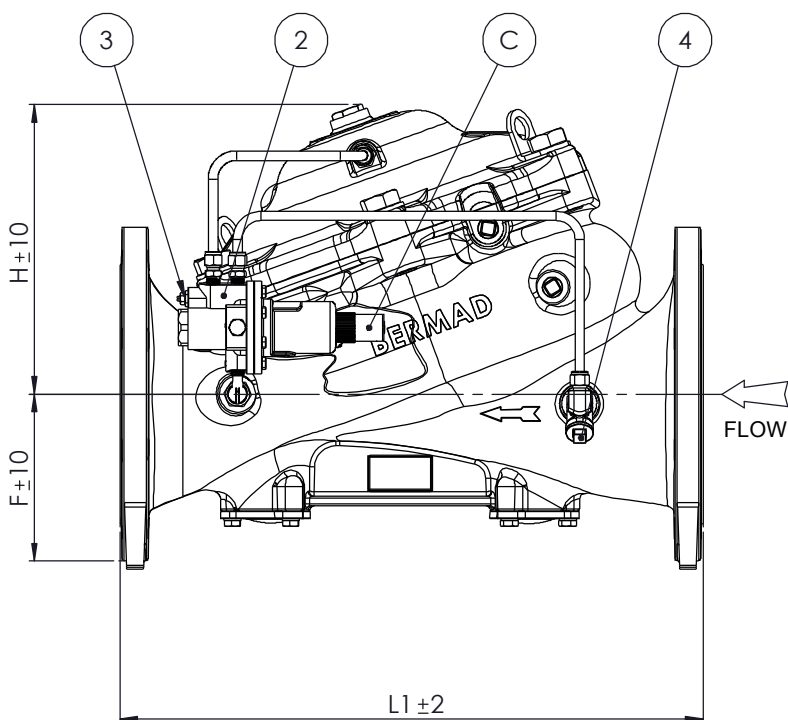


Item No.	Description	Qty
1	Main Valve BERMAD 400Y ANSI#150	1
2	Pressure Sustaining Pilot Valve #2UL	1
3	Restriction Needle Valve	1
4	Y Strainer	1

Optional Items		
I	Visual Position Indicator	1
S	Limit Switch Assembly	1



Valve Size	8"	10"
DN	200	250
H	330	330
F	180	204
L1	600	730
A	245	245
B	296	296
Weight (Kg)	147.3	177.3

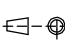
TABLE NOTES:

ADD 45mm WHEN USING VISUAL INDICATOR.
AND 120mm FOR ENCLOSED LIMIT SWITCH

*ALL DIMENSIONS ARE IN METRIC mm UNLESS MENTIONED OTHERWISE

NOTE: 1-PROVIDE AMPLE CLEARANCE FOR FUTURE MAINTENANCE

THIS DOCUMENT IS BERMAD'S PROPERTY AND CANNOT BE USED BY OTHERS FOR ANY PURPOSE WITHOUT PRIOR WRITTEN CONSENT.

CATALOG No.	FP-42T-H-A5-STD		
	Project Name:	BERMAD	Material:
	Doc. Code:	GA	Finish:
DESIGN	NAME	DATE	DESCRIPTION:
	Doron Eshel	28.06.2016	FP-42T PRESSURE REDUCING VALVE, SIZES: 8"-10",#150
DRAWN	NAME	DATE	File name:
	Carel Van Gent	28.06.2016	FP-42T-H-A5-STD
APPROVED	NAME	DATE	SCALE:
	Doron Eshel	11.07.2016	1:5
			DWG No. 016498
			WEIGHT (Kg): Table
			SHEET 1 OF 1
			REV. 0

