
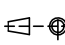
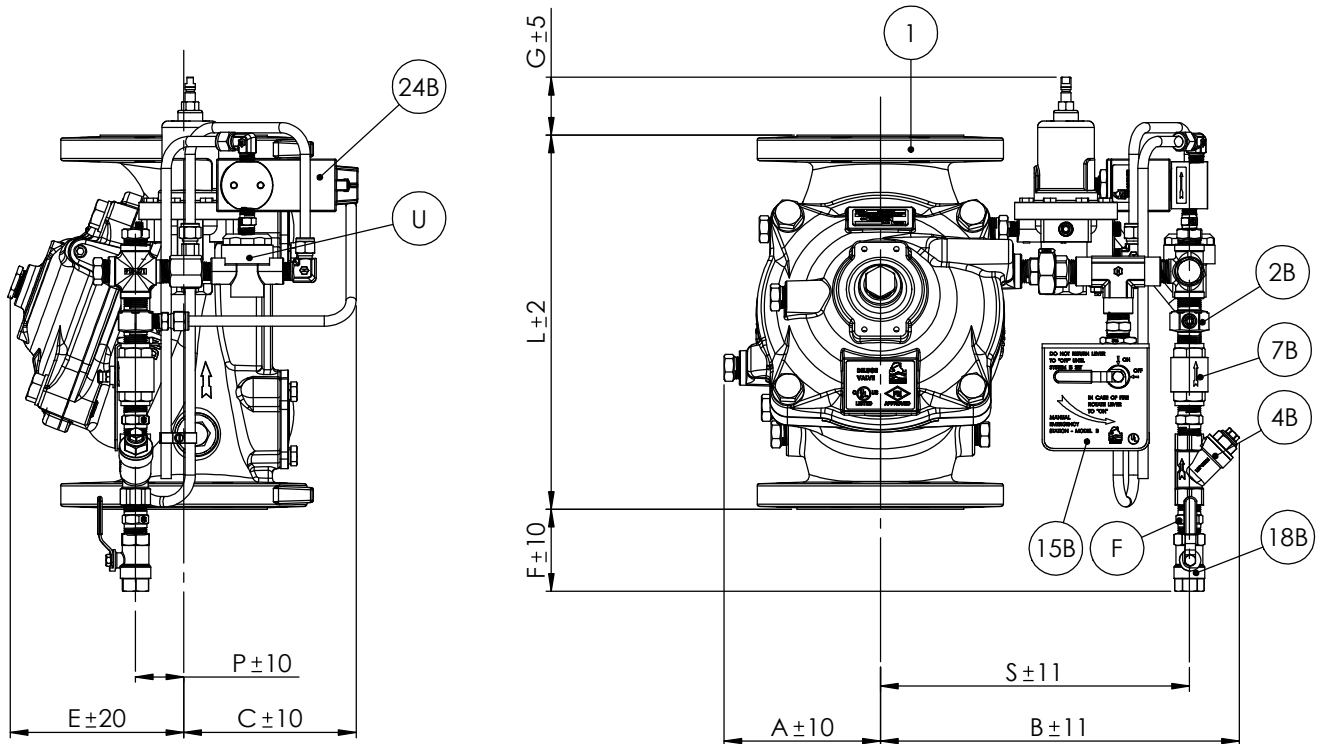
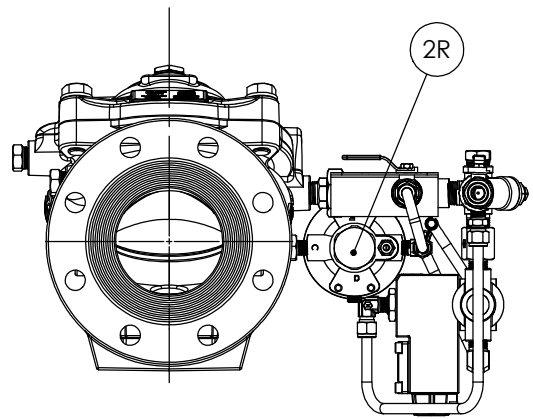


NOTE: 1-PROVIDE AMPLE CLEARANCE FOR FUTURE MAINTENANCE
 2-ALL DIMENSIONS MENTIONED ABOVE ARE APPROXIMATED
 3-E&OE

THIS DOCUMENT IS BERMAD'S PROPERTY AND CANNOT BE USED BY OTHERS FOR ANY PURPOSE WITHOUT PRIOR WRITTEN CONSENT.

CATALOG No.	Project Name:		Material:Material	Finish:Finish	
	Doc. Code:		DESCRIPTION: Electric Pressure Controlled Deluge Valve		
	NAME	DATE			
DESIGN	Carel Van Gent	04.02.2014			
DRAWN	Lior Weinstein	04.02.2014	File name: FP-400Y-3DC-STD-GA	SCALE: 1:10	A3
APPROVED	Doron Eshel	04.02.2014	DWG No. 009597	WEIGHT [kg]:	SHEET 1 OF 2 REV. -

Item	Description	QTY
1	400Y Deluge Valve	1
2B	Restriction Orifice	1
2R	Pressure Reducing Valve, 2UL	1
4B	Priming Strainer	1
7B	Priming Check Valve 1/2"	1
15B	Manual Emergency Release	1
18B	Priming Valve 1/2" Ball Valve	1
24B	Solenoid Valve 3-Way	1
F	Fittings and Tubing	-
U	Universal Relay Valve (URV)	1



	1.5"	2"	3"	4"	6"	8"	10"	12"	14"	16"
A	64	64	122	132	187	215	215	328	328	328
B	279	279	337	347	402	430	430	543	543	543
C	241	241	274	290	304.5	320	320	383	383	408
E	120	120	146	158	228	295	295	441	441	415
F	189	189	119	92	10.5	-	-	-	-	-
L	230	230	310	350	480	600	730	850	980	1100
G	141	141	131	118	69.5	45	-	-	-	-
P	64	64	122	132	187	215	215	328	328	328
S	221	221	279	289	344	372	372	485	485	485
Weight	24.4 (Kg)	25.8 (Kg)	40.5 (Kg)	50.5 (Kg)	93.8 (Kg)	157. (Kg)	187. (Kg)	330. (Kg)	363. (Kg)	409. (Kg)

NOTE: 1-PROVIDE AMPLE CLEARANCE FOR FUTURE MAINTENANCE
 2-ALL DIMENSIONS MENTIONED ABOVE ARE APPROXIMATED
 3-E&OE

THIS DOCUMENT IS BERMA'S PROPERTY AND CANNOT BE USED BY OTHERS FOR ANY PURPOSE WITHOUT PRIOR WRITTEN CONSENT.

CATALOG No.	Project Name:		Material:Material	Finish:Finish
	Doc. Code:		DESCRIPTION: Electric Pressure Controlled Deluge Valve	
	NAME	DATE		
DESIGN	Carel Van Gent	04.02.2014	File name: FP-400Y-3DC-STD-GA	SCALE: 1:5
DRAWN	Lior Weinstain	04.02.2014	DWG No. 009597	WEIGHT [Kg]:
APPROVED	Doron Eshel	04.02.2014	SHEET 2 OF 2	REV. -