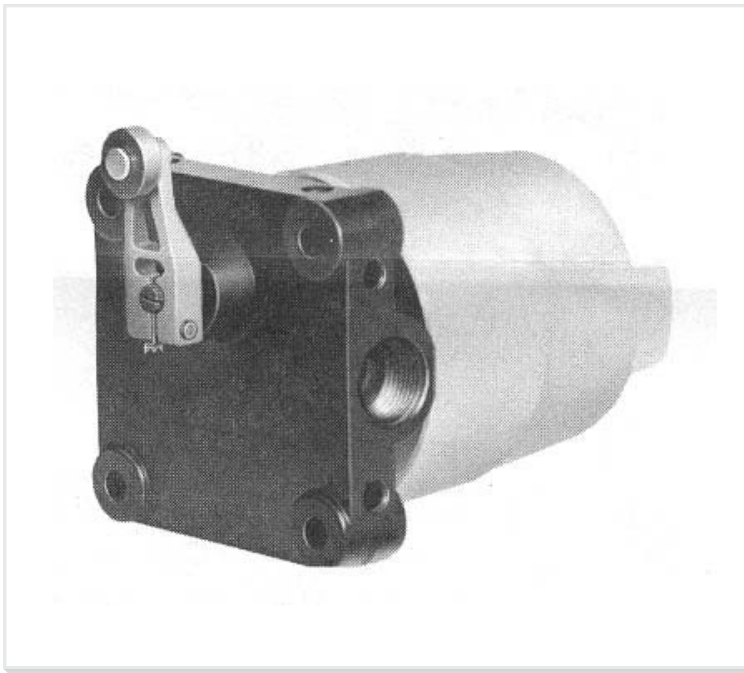




Valve Position Transmitter

Accessories

80CX switches have rugged bronze housings which are resistant to salt water and other corrosive environments. They comply with the NEMA 4X requirement for protection against corrosion, in addition to NEMA enclosure standards met by other CX switches. O-ring seals make the enclosure weather-proof, but are outside of required flame paths so explosion-proof requirements are maintained.



Features

- Watertight and dusttight for outdoor use
- Pertravel, overtravel and actuating sequence can be field adjusted without tools
- Rotary types convert in seconds to CW, CCW or both-way options

Adjusting Range

- Maximum 27 bar (400 psi)

Temperature

- -25° to 85°C (-13° to 185°F)

Materials

- Housing: Cast Aluminum
- Bracket: Steel
- Adapter: Brass
- Stem: Stainless Steel
- Seals: Buna NBR Rubber
- Adapter: Brass
- Adapter: Brass

Output

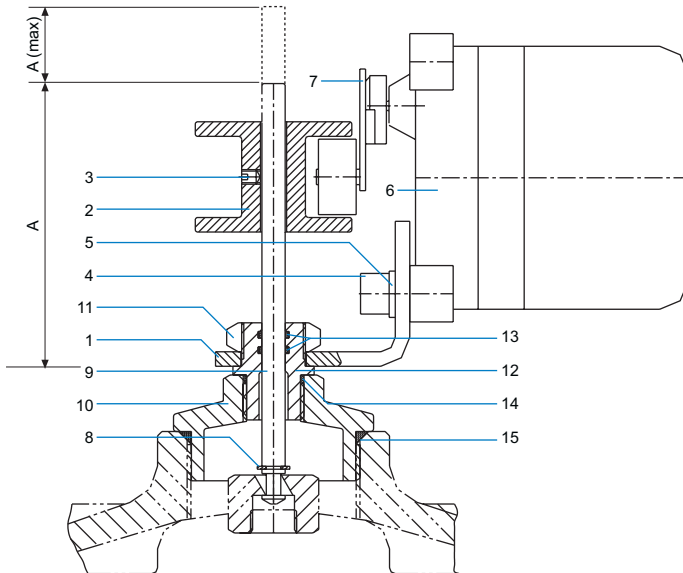
- Standard: 4-20 Ma
- Optional Resistive Output:
 - 500 ohms ±10% - free position
 - 975 ohms max. - 105° rotation CW
 - 25 ohms min. - 105° rotation CCW
- 2W at 70°C (105°F) at full scale

Switches

- 2 SPDT
- UL/CSA rating
- 15 Amps 120, 240 or 480 VAC
- 5 Amps 125 VDC
- 25 Amps 250 VDC



Assembly Drawing



List of Parts

- 1 Bracket.....ST 37
- 2 Guide.....Brass
- 3 Screw.....AISI 304
- 4 Screw.....AISI 304
- 5 Disc.....AISI 304
- 6 Positioner.....Rugged Bronze
- 7 Lever Arm.....AISI 304
- 8 Retaining Ring.....AISI 316
- 9 Indicator.....AISI 303
- 10 Upper Plug.....Brass
- 11 Nut.....Brass
- 12 Upper Plug.....Brass
- 13 O-Ring.....NBR
- 14 O-Ring.....NBR
- 15 O-Ring.....NBR

Pilot System Dimensions Valve Size A (max) - mm

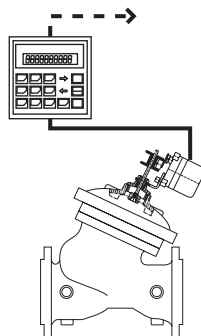
2"	2.5	3"	4"	6"	8"	10"	12"	14"	16"	20"
17	17	27	33	50	67	83	100	100	135	135

Enclosures

- NEMA 1, 3, 4, 4X, 6, 6P, 7, 9 and 13
- UL Listed:
 - Class I, Div 1, Groups B (14CX, 16CX, 24CX, 26CX, 36CX and 84CX only, C and D
 - Class II, Div 1, Groups E, F and G
- CSA Certified:
 - Class I, Div 1, Groups B (14CX, 16CX, 24CX, 26CX, 36CX and 84CX only, C and D
 - Class II, Div 1, Groups E, F and G

Typical Installation

The 18 X 10a Valve Position Transmitter can transmit to any controller; 4-20mA enables, including the BE-11 & BE-12 electronic valve controller.



Wiring Diagram

The signal from the position sensing mechanism is converted to a two-wire 4 to 20 mA current output. The voltage compliance range is 12.5 to 40 VDC (12.5 is the transmitters voltage consumption). The required, but not supplied, maximum load resistance can be calculated using the following formula:

$$R_L \text{ Max} = \frac{V_{\text{supply}} - 12.5}{0.020}$$

Current Output

