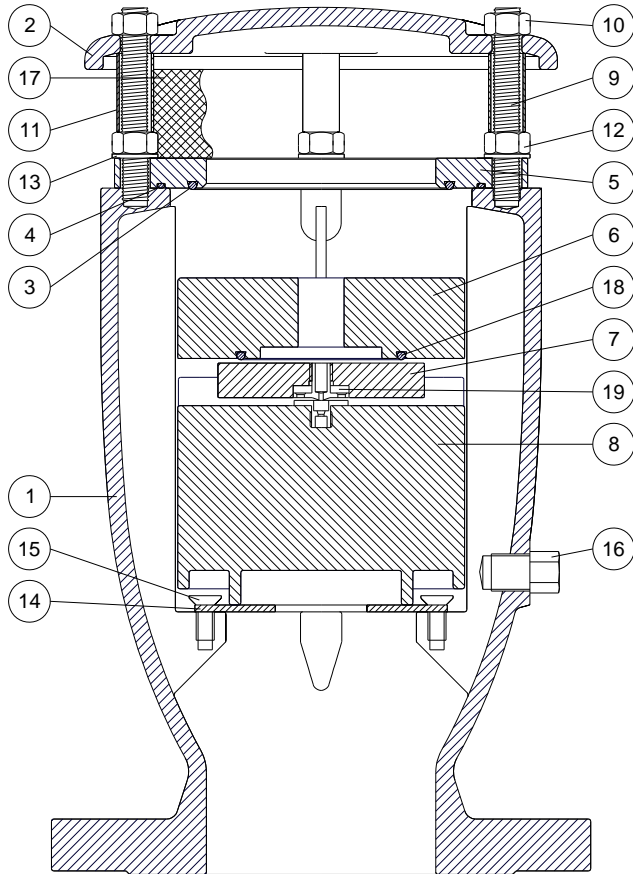


Drawing

Figure 1



N.	Component	Material
1	Body	GJS 500-7/GJS 450-10
2	Cap	GJS 500-7/GJS 450-10
3	O-ring	NBR/EPDM/Viton/Silicone
4	O-ring	NBR/EPDM/Viton/Silicone
5	Seat	AISI 304/AISI 316
6	RFP flat	Polypropylene
7	Upper flat	Polypropylene
8	Float	Polypropylene
9	Studs	AISI 304/AISI 316
10	Nuts	AISI 304/AISI 316
11	Spacers	AISI 304/AISI 316
12	Nuts	AISI 304/AISI 316
13	Washers	AISI 304/AISI 316
14	Deflector	AISI 304/AISI 316
15	Screws	AISI 304/AISI 316
16	Drain valve	AISI 303/AISI 316
17	Screen	AISI 304
18	O-ring	NBR/EPDM/Viton/Silicone
19	Nozzle subset	AISI 316
Spare parts: 3-4-6-7-8-18-19		