



BERMAD

Water Control Solutions

6. Valve spare parts explosion drawing:

21T 3/4" & 1"

S390-T 2W Continuous Current Solenoid

AC: S3902WT2450NC00B (24VAC)
DC: S3902WT24DCNC00B (24VDC)
DC: S3902WT12DCNC00B (12VDC)



S-392T 2W Latch Solenoid

S3922WT09DCNC00B



Bolt

2210060003

Cover

230706591

Spring

22210060014

Diaphragm Assy.

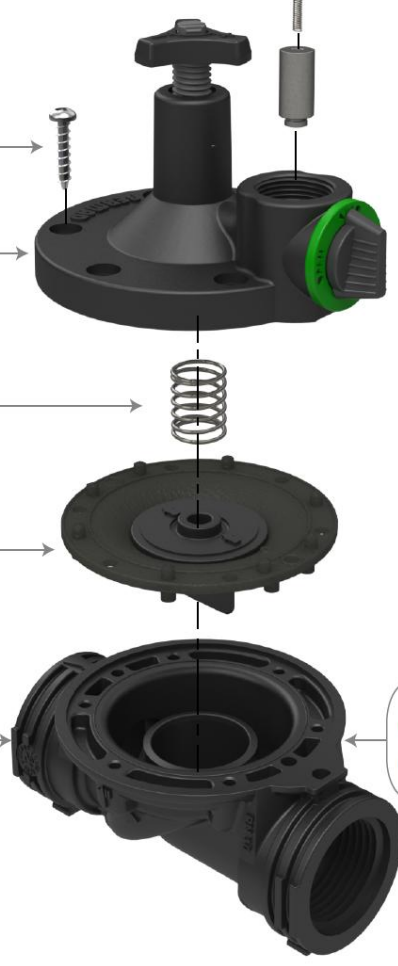
2310060095

Body 1"

BSP: 2310360501
NPT: 2310360101

3/4"

BSP: 2307360501
NPT: 2307360101





BERMAD

Water Control Solutions

21T 1½" & 2"

S390-T 2W Continuous Current Solenoid

AC: S3902WT2450NC00B (24VAC)
DC: S3902WT24DCNC00B (24VDC)
DC: S3902WT12DCNC00B (12VDC)



S-392T 2W Latch Solenoid

S3922WT09DCNC00B



Bolt

0204165035

Cover

2315065091

Spring

2220160416

Diaphragm Assy.

2320160092

Body 1.5"

BSP

A: 22151360401
G: 2215160401

NPT

A: 2215360201
G: 2215160201

Nut

030416110E

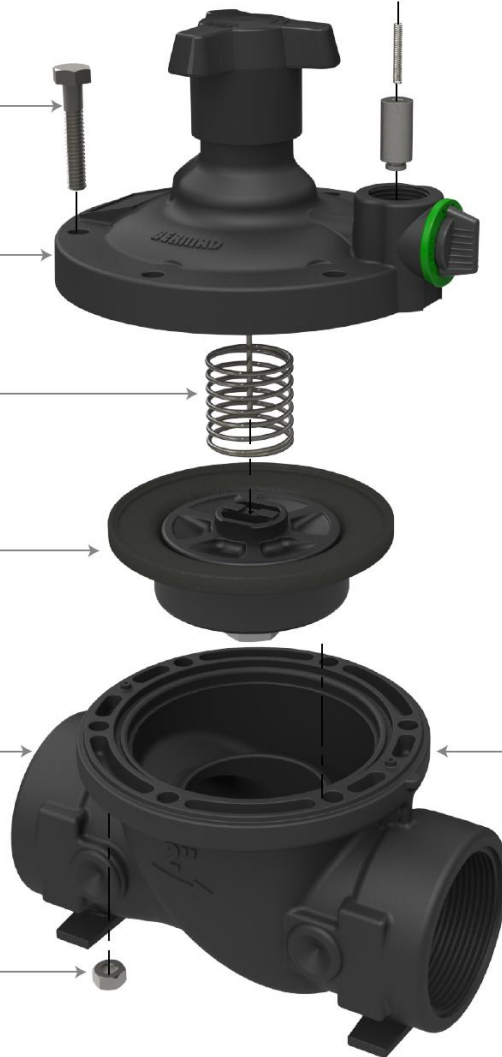
Body 2"

BSP

A: 2220360401
G: 222160401

NPT

A: 2220360201
G: 222160201



With wishes for success and lots of pride & enthusiasms
Elisha Columbus & Jonathan Ben Asher, Product Managers
Bermad IR Strategic Business Unit