

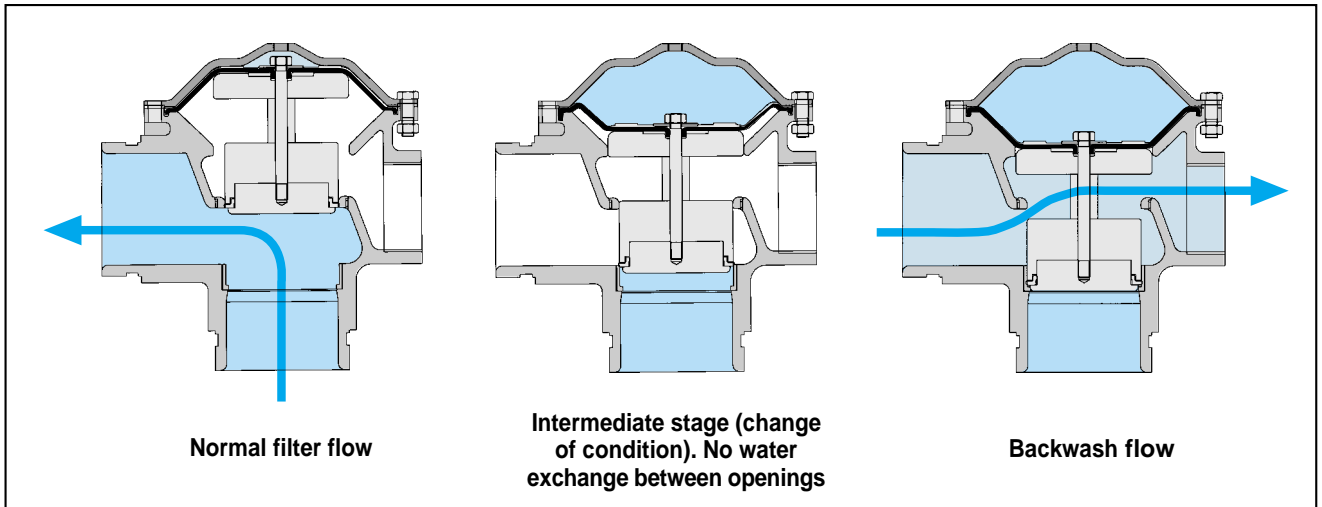
Dimensions and Weights

Size (mm)	2" x 2"		3" x 2"		3" x 3"	4" x 3"		4" x 4"
	Threaded	Grooved	Flanged	Grooved	Grooved	Flanged	Grooved	Grooved
H	205	231	235	225	330	295	277	277
R	75	101	115	103	125	138	123	123
La	75*	101	135	120	125	168	152	152
Lb	75*	101	96	92	125	125	125	152
ØC	125	125	181	181	160	245	245	245
Weight (kg)	3.7	4.2	16.5	10.0	9.5	39.0	21.0	22.0

* Allowable tolerance (3 mm as grooved end connections are screwed into the valve body)

OPERATION

Single-Chambered Type



Double-Chambered Type

