

Filter Backwash Hydraulic Valve

4x4 Plastic

IR-4x4-350-P

The BERMAD Model IR-4x4-350-P is a compact 3-port valve, in a "T" configuration. It is double chambered, hydraulically operated, and diaphragm actuated.

Designed for automatic backwashing of filtration systems, the BERMAD Model IR-4x4-350-P is available in Angle flow (A) and Straight flow (S) configurations.



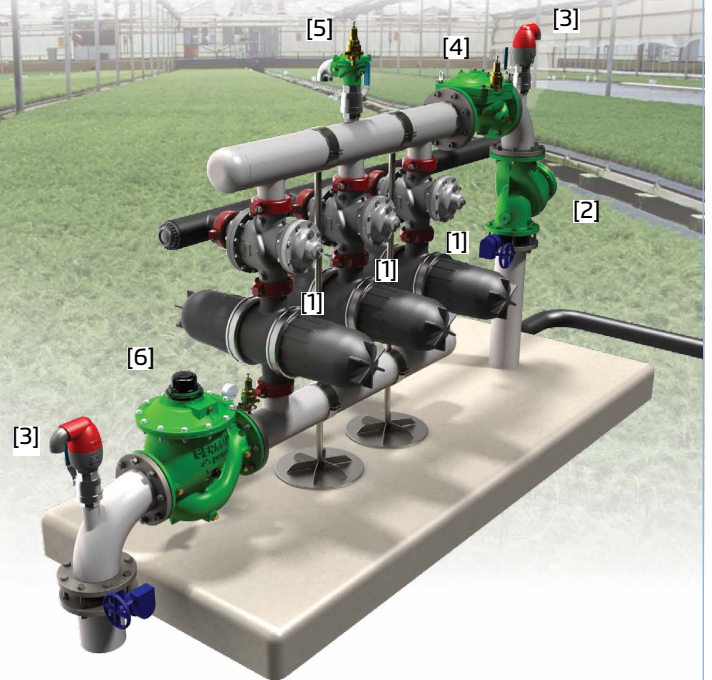
Angle Flow



Straight Flow

Features and Benefits

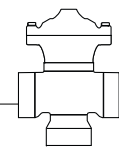
- Line Pressure Driven
- Double Chambered Design
 - Quick and smooth mode change
 - Wide application range
 - Requires low actuation pressure
 - Protected diaphragm
- Dynamic Sealing
 - Seals at very low pressure
 - Prevents seal friction and erosion
- Engineered Plastic Valve Design
 - Highly durable, chemical and cavitation resistant
- Long Valve Travel
 - Higher flow and lower head loss
 - Smooth changes of flow direction
 - Eliminates mixing of supply and waste water
- User-Friendly
 - Can be installed in various orientations
 - Simple in-line inspection and service



Typical Applications

- Automatic Backwash of Filter Batteries
 - Gravel Filters
 - Sand Filters
 - Disk Filters
 - Screen Filters
- Single Filter Autonomic Backwash System
- Angled or Straight Installations

- [1] BERMAD Model IR-4x4-350-S-P allows flow into the filter, switches close upon pressure rise command blocking inlet to filter and enables backwash flow from the filter.
- [2] BERMAD Strainer Model IR-70F.
- [3] BERMAD Combination Air Valve Model C10.
- [4] BERMAD Pressure Reducing Valve Model IR-420.
- [5] BERMAD Quick Pressure Relief Valve Model IR-43Q.
- [6] BERMAD Pressure Sustaining Hydrometer Model IR-930-M0-X.



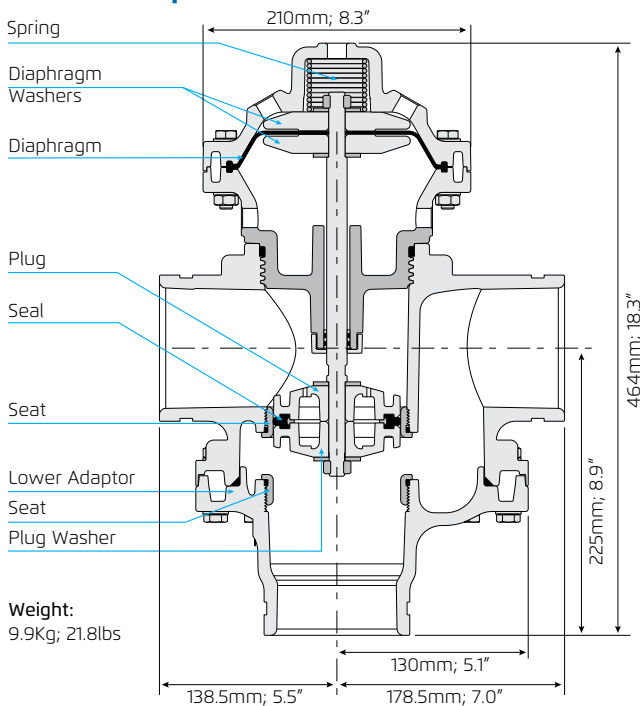
IR-4x4-350-P

For full technical details, refer to Engineering Section.

350 Series

Filter Stations

Technical Specifications



Technical Data

- Control Chamber Displacement Volume:** 0.55 liter; 0.15 gallon
- Operating Pressure:** 0.7-10 bar; 10-145 psi
- External Operating Pressure:** 85%-100% of operating pressure
- Maximum Temperature:** 65°C; 150°F
- End Connections:** Ports C & 2: Grooved 4"
Port 1: Grooved 4";
Union Connector (Havazelet) 75mm or Grooved 4" x Int.Thread 3"
- Flow Patterns:** Angled Flow, Reverse Angled Flow, Straight Flow, Reverse Straight Flow

Materials

- Valve Body, Separating Partition & Lower Adaptor:** Polyamide 6 – 30GF Black
- Cover:** Polyamide 6 – 30GF, Angle Flow – Black, Straight Flow – Gray
- Diaphragm:** NR-AL52 Nylon Fabric Reinforced
- Seats, Diaphragm Washers:** Stainless Steel 304
- Plug, Plug Washer:** Acetal Copolymer Black
- Stopper Disk:** PVC-U
- Seal, O-Rings:** NBR
- Spring:** Stainless Steel AISI 302
- Shaft:** Stainless Steel AISI 303
- External Bolts, Studs, Nuts & Disks:** Stainless Steel

How to Order

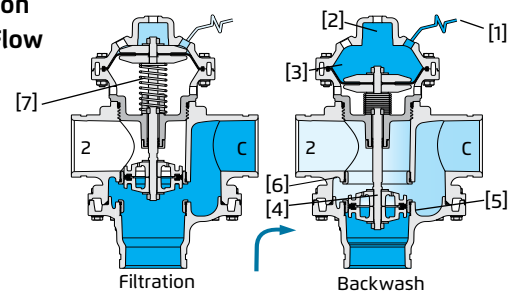
Please specify the requested valve in the following sequence: (for more options, refer to Ordering Guide.)

Sector	Size	Primary Feature	Additional Feature	Pattern / Flow Option	Construction Materials	Drain Connections	End Connections	Additional Attributes	Coating	Voltage & Position	Tubing & Fittings
IR	4x4	350	00	S	P	V	VI	-	UC	00	PP
		Angle Flow A Straight Flow S Straight & Reverse Flow S-O Angle & Reverse Flow A-O	Grooved 4" Union Connector (Havazelet) 75mm Grooved 4" x Int. Thread 3"	V H VT	Grooved ANCI C606-81 VI	Uncoated UC	Plastic Tubing & Fillings PP				

Hydraulic Data

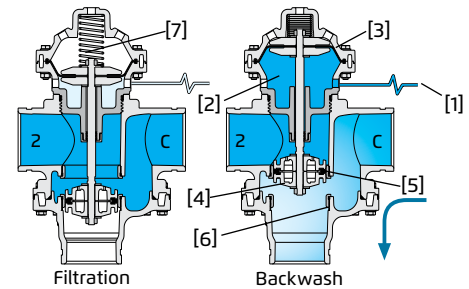
	Filtration 1→C	Backwash C→2	
Angle Flow			$\Delta P = \left(\frac{Q}{Kv}\right)^2$ Kv = m ³ /h @ ΔP of 1 bar Q = m ³ /h ΔP = bar
	Kv=225 Cv=260	Kv=205 Cv=237	
Straight Flow			$\Delta P = \left(\frac{Q}{Cv}\right)^2$ Cv = gpm @ ΔP of 1 psi Q = gpm ΔP = psi
	Kv=190 Cv=220	Kv=250 Cv=290	Cv = 1.155 KV

Operation Angle Flow



A Hydraulic Command [1], which pressurizes the Upper Control Chamber [2], forces the Diaphragm [3] actuated Plug Assembly [4] to move towards the Supply Port Seat [5], eventually sealing it drip tight. This allows flow from the filter through the Drain Port Seat [6]. Venting the upper control chamber causes the line pressure, together with the Spring [7] force, to move the Valve back to filtration mode.

Straight Flow



A Hydraulic Command [1], which pressurizes the Lower Control Chamber [2], forces the Diaphragm [3] actuated Plug Assembly [4] to move towards the Supply Port Seat [5], eventually sealing it drip tight. This allows flow from the filter through the Drain Port Seat [6]. Venting the upper control chamber causes the line pressure, together with the Spring [7] force, to move the Valve back to filtration mode.

