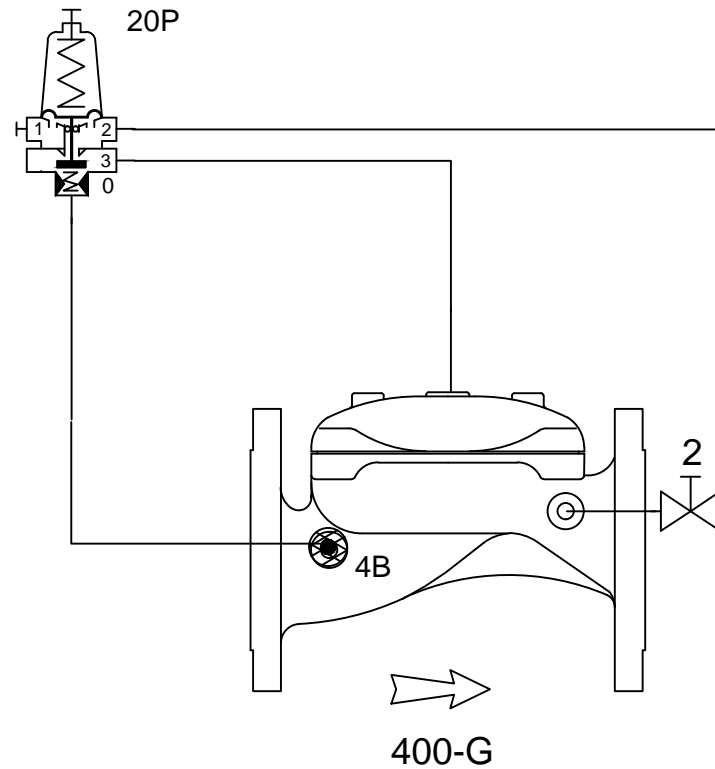
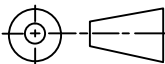


Components	
#1 & 2	Ball valves
#4	Inlet strainer
20MB	PC20 plastic pilot
Fittings	Plastic
Tube	LP nylon



Designed for valve sizes 40mm up to 100mm

<p>Not to Scale</p> 	<p>Bermad Water Technologies 7 Inglewood Drive , Thomastown , Vic 3074 Ph (03) 9464 5949 Fax (03) 9464 2382</p>	<p>Drawn by : Date :</p>
<p>Email Address colin@bermad.com.au</p> <p>Revision Number / Date</p>	<p>Project : Model No IR-4-G-ASTD-420-2W Reducing valve 2 way</p>	<p>Drawing Number :</p>