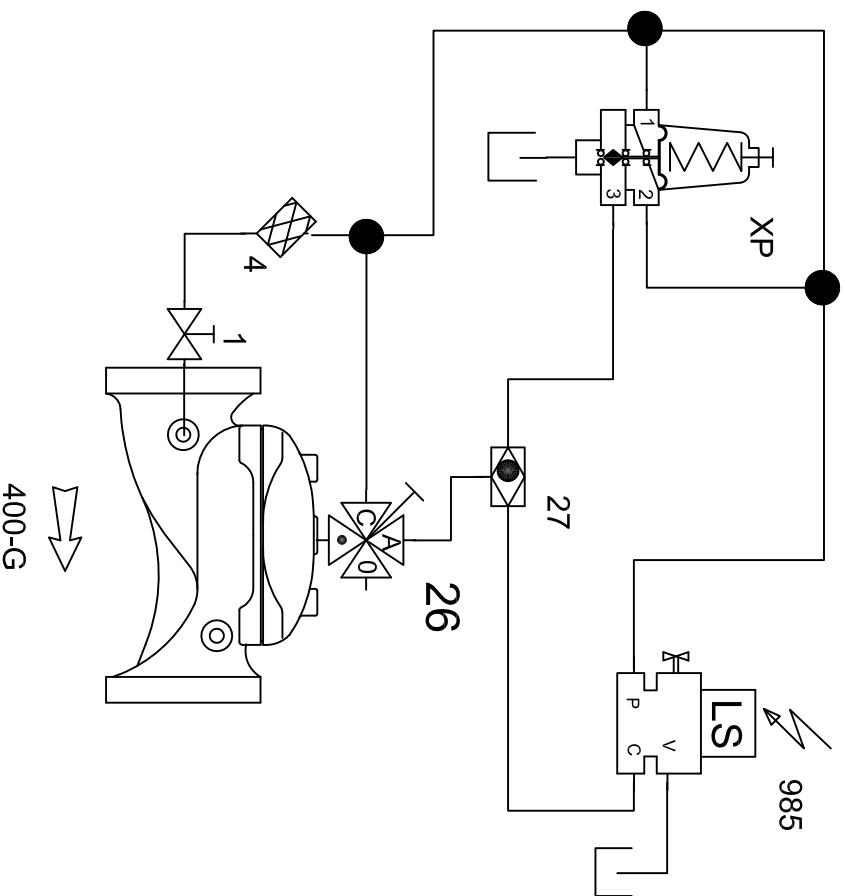
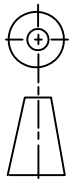


Components	
#1 & 2	1/4" ball valves
#4	Inlet brass strainer
#27	Brass shuttle valve
#XP	Brass PCX three way pilot
#26	Brass SAGIV
400-G	50-100mm 400 series
Fittings	Brass
Tubing	HP nylon
#27	Shuttle tee

Suitable for 50 , 80 & 100mm valve sizes



<p>Not to Scale</p> 	<p>Bernad Water Technologies 7 Inglewood Drive , Thomastown , Vic 3074 Ph (03) 9464 5949 Fax (03) 9464 2382</p>	<p>Drawn by : Date :</p>
<p>Email Address colin@bermad.com.au</p>	<p>Project : Bernad sustaining and reducing valve with three way brass pilots 430 BXW-55 Latch</p>	<p>Drawing Number :</p>
<p>Revision Number / Date</p>	