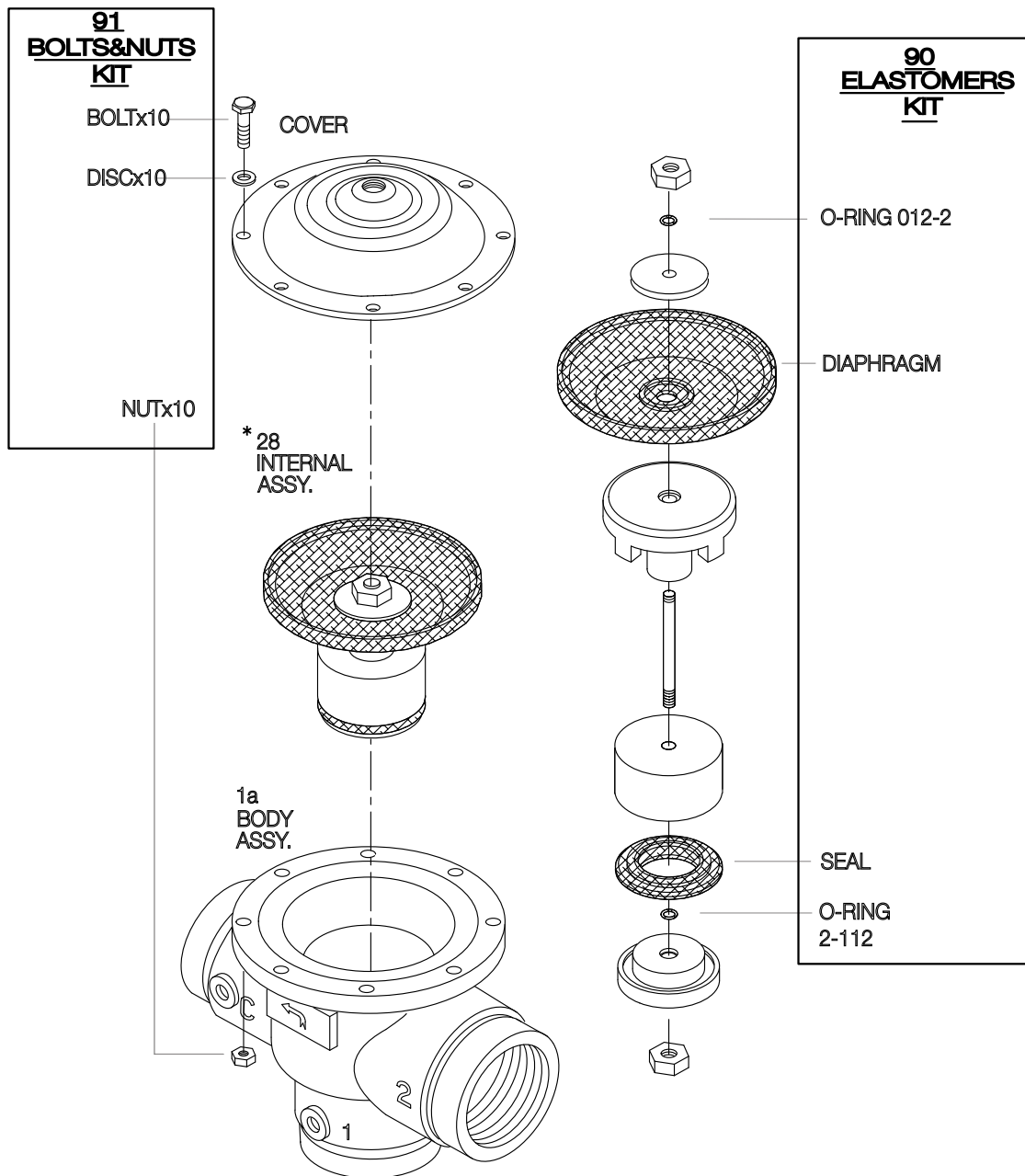


Backwash Filter Valve-Single Chamber

Angle / Reverse Angle Flow

Size: 4"x4"/3". Grooved/Threaded



* Size 3"x2", 4"x3", 4"x4" GROOVE & FLANGE SINGLE CHAMBER - INTERNAL ASSY. (PART 28) FOR FIELD SERVICE ONLY