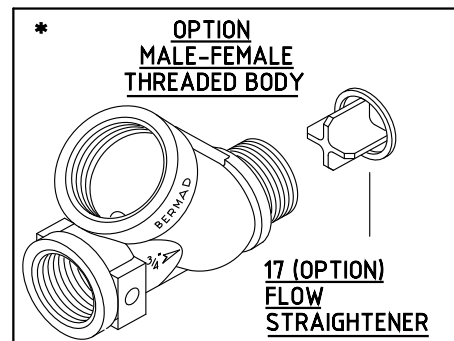
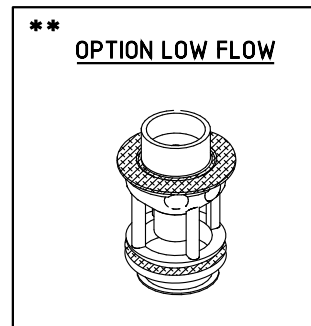
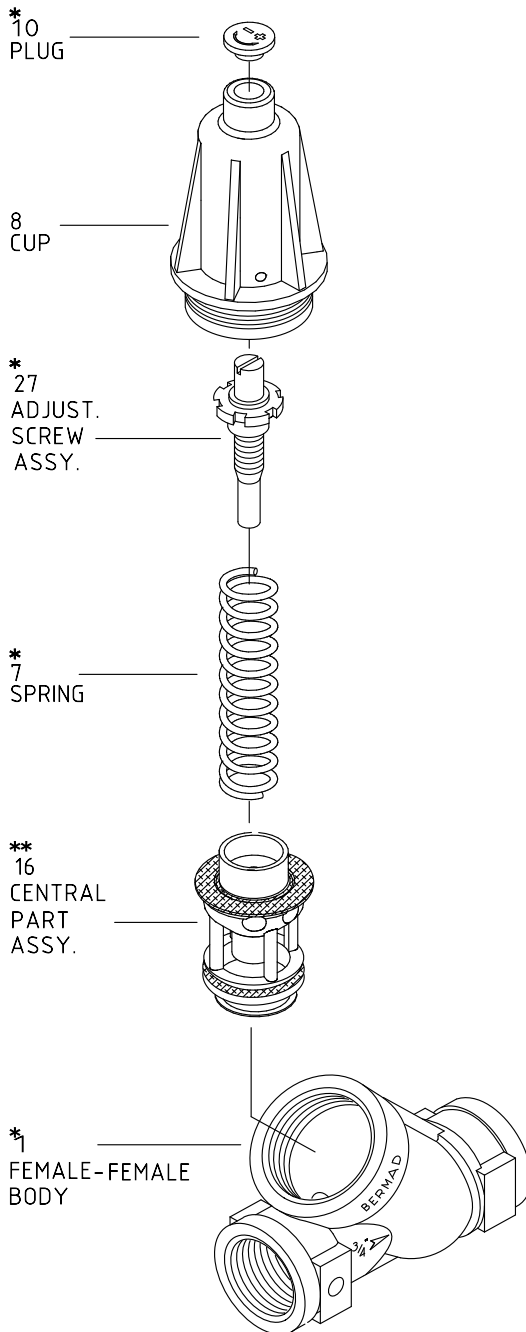
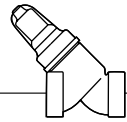


Direct Acting Pressure Reducing Valve

Size: 3/4"; DN20



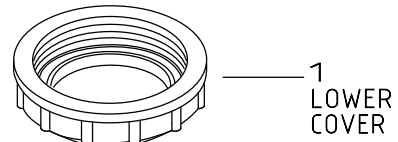
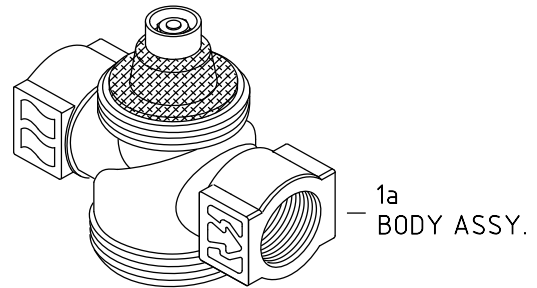
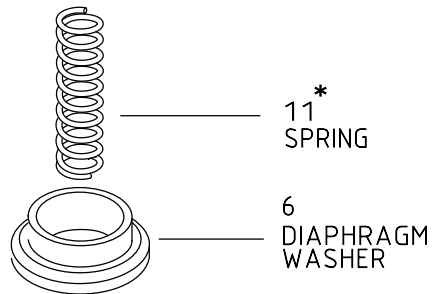
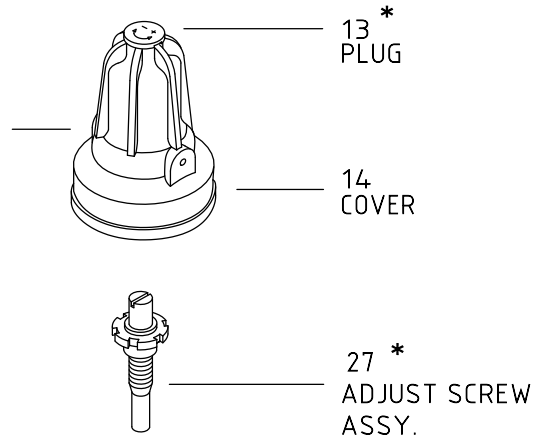
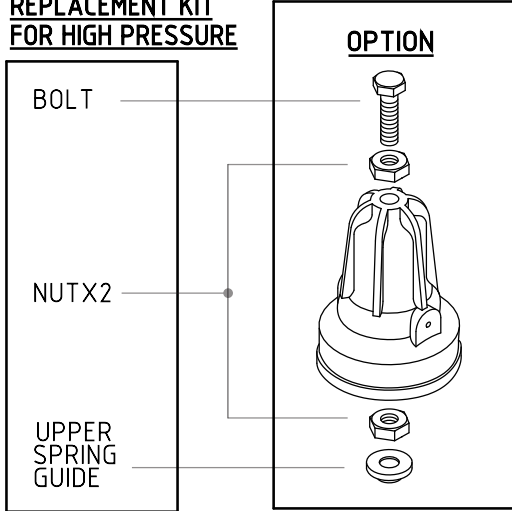
*** - DIFFERENT COLORS

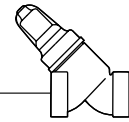


Direct Acting Pressure Reducing Valve

Size: 1"; DN25

28
REPLACEMENT KIT
FOR HIGH PRESSURE





Direct Acting Pressure Reducing Valve

Size: 1½"; DN40

28 REPLACEMENT KIT FOR HIGH PRESSURE

