



BERMAD
Water Control Solutions

Electronic Register Upgrade Kit – Field Installation / Replacement Manual



E-Register + 900 Meter



E-Register + Turbo-Bar Meter



E-Register + Turbo-IR Meter

This IOM is a provisional operator's manual for field installation of BERMAD can-type Electronic Register.

**BERMAD**

Water Control Solutions

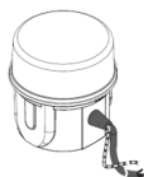


Please read the instructions before proceeding with field installation of the Kit





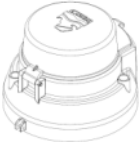





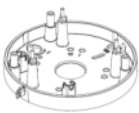

Required working tools (not included in the kit):

- *Phillips screw driver*
- *Cable cutter*



Electronic Register (shown for purpose of illustration) is not included in the upgrade kit and must be purchased separately according to the specification of the Water meter on which it will be assembled

UPGRADE KIT FOR E. REGISTER, WITHOUT REGISTER (REF. RE0000K001)

QTY.	ITEM	REF.	DESCRIPTION
3		RE00001004	E. REGISTER HOUSING PLASTIC PLUG
3		RE0000S001	PT-OVAL HEAD SCREW WITH PHILIPS CROSS RECESSED HEAD TYPE H Ø3X16 A2
1		RE0000A001	900-M/E, TURBO-M/E, IR-M/E REGISTER HOUSING ASSY.WITH BERMAD LOGO
3		RE00001020	E. REGISTER SPACER, FOR IR-E, TURBO-E, 900-E (ELECTRONIC)
1		RE00001029	LOCATION RING FOR METAL CAN REGISTER. MODEL A2639002.
4		0240861108	SCREW DIN7985A A2 M4X8 (TURBO BAR & TURBO IR)
4		0250861110	SCREW DIN7985A A2 M5X10 (900 SERIES)
1		RE00001012	BASE PLATE FIXING WASHER FOR 900-E (900 SERIES)
1		RE00001025	E. REGISTER BASE PLATE
1		1200005040	1.5"-10"-900-CBM, BLUE COLOR SECURITY SEAL BERMAD LOGO

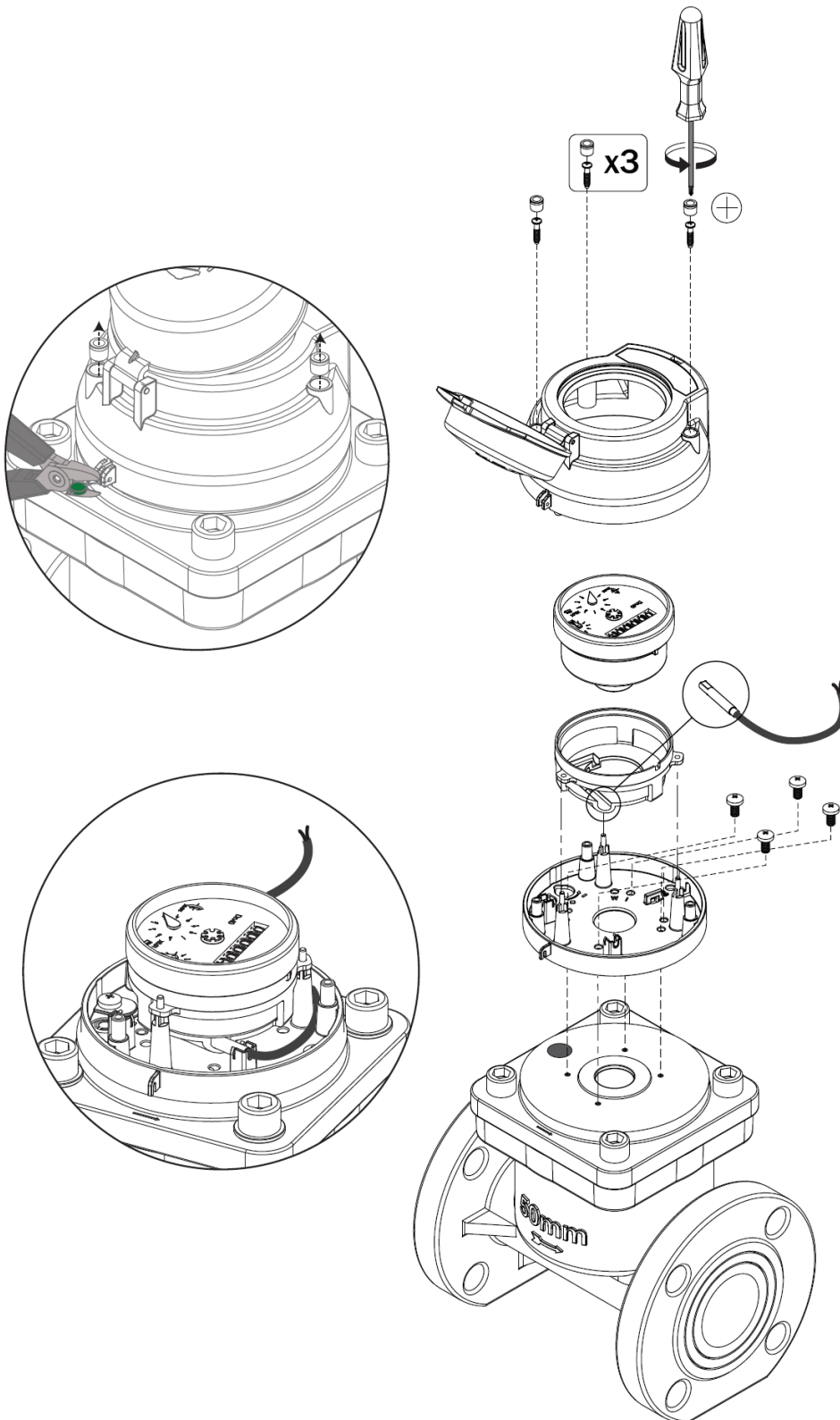


BERMAD

Water Control Solutions

Phase I – Disassembly of Turbo Bar, Turbo IR & 900 series:

Remove existing housing and register from the Water meter / Hydrometer





BERMAD

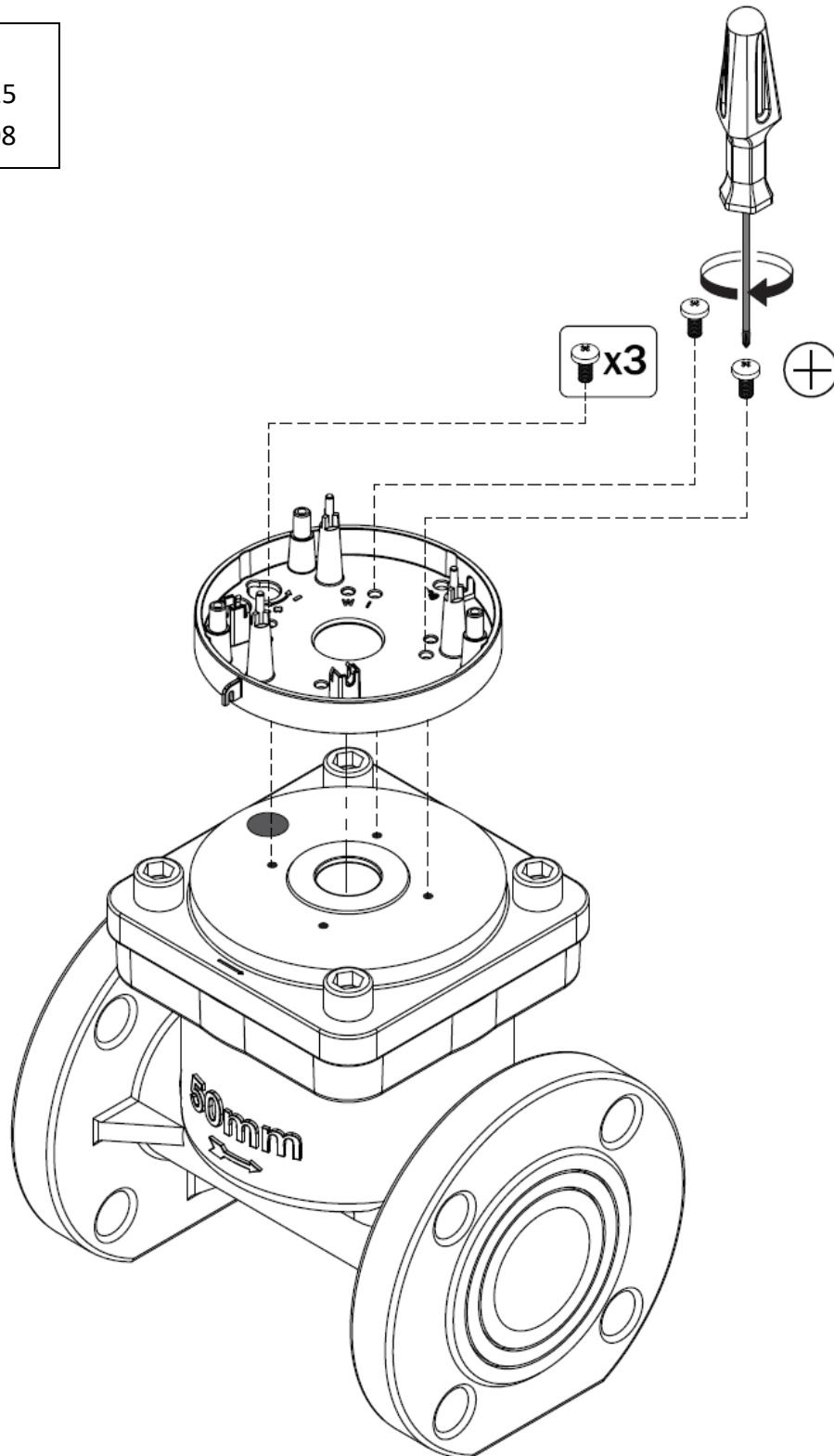
Water Control Solutions

Phase II – Assembly instructions for Turbo Bar & Turbo IR:

Please assemble the Electronic Register and all of its supplement components in the order seen at the following image (for 900 series, please refer to Phase III)

Step 1:

- i. 1 x #RE00001025
- ii. 3 x #0240861108



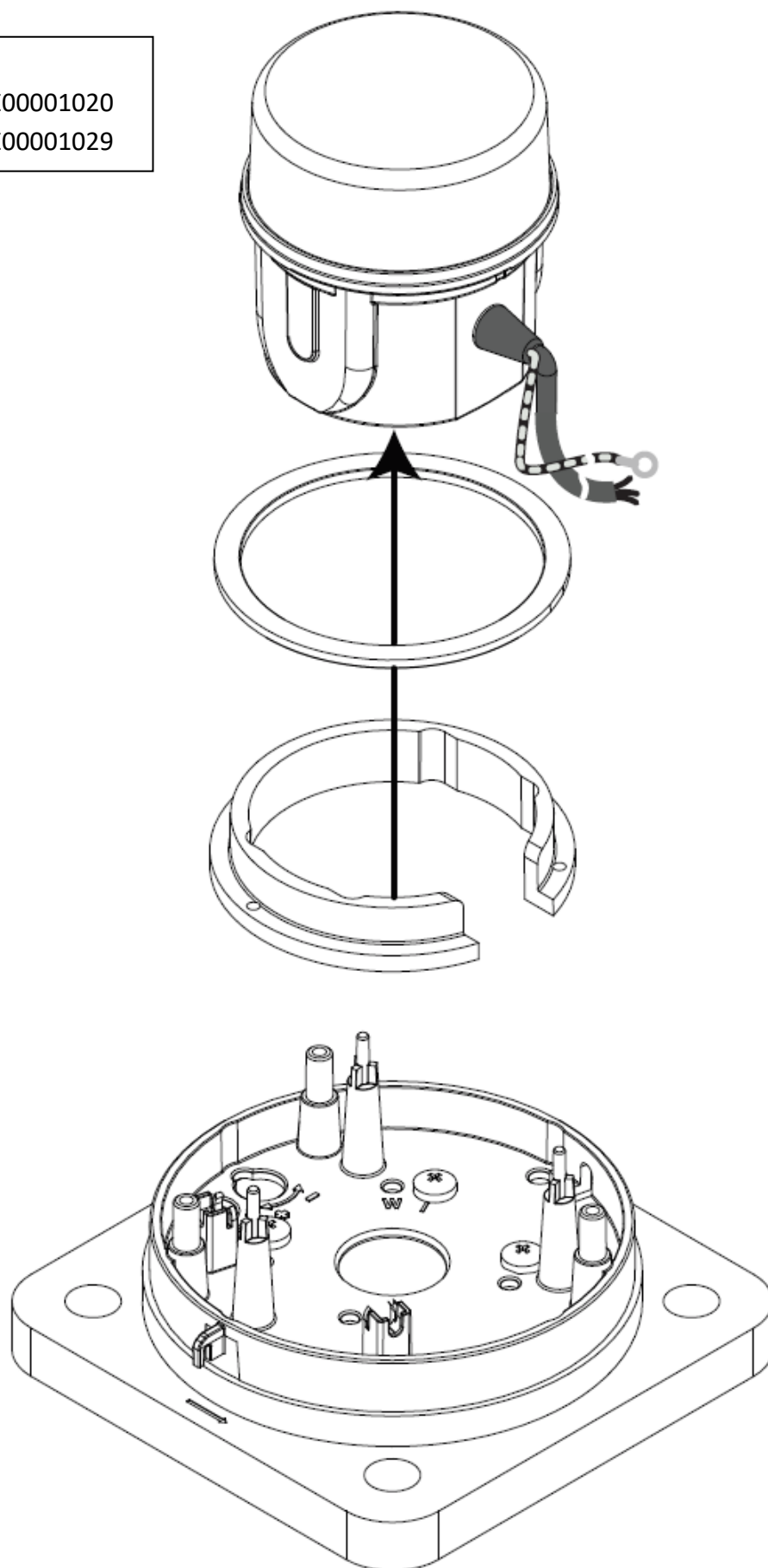


BERMAD

Water Control Solutions

Step 2:

- i. 1 x #RE00001020
- ii. 1 x #RE00001029



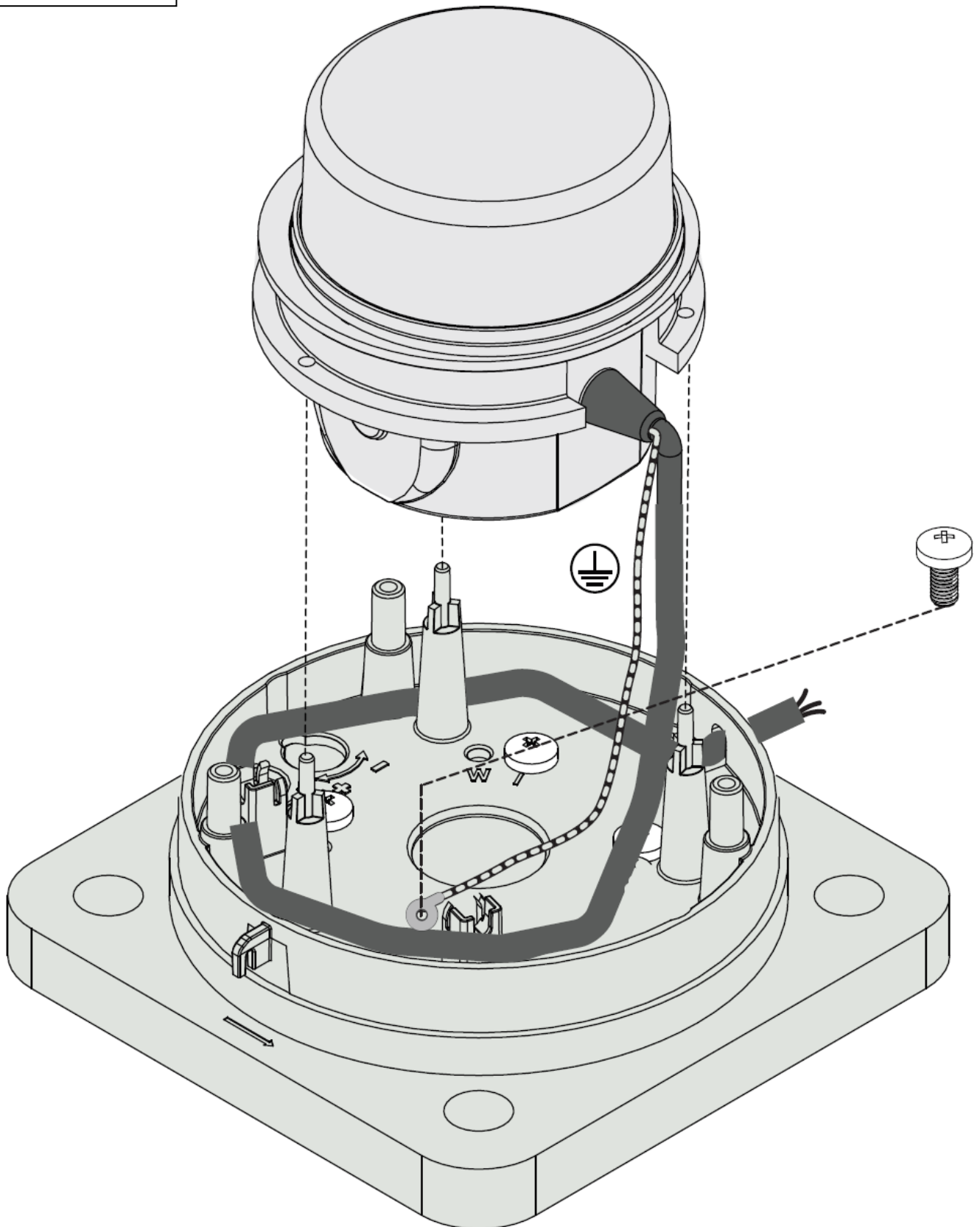


BERMAD

Water Control Solutions

Step 3:

1 x #0240861108



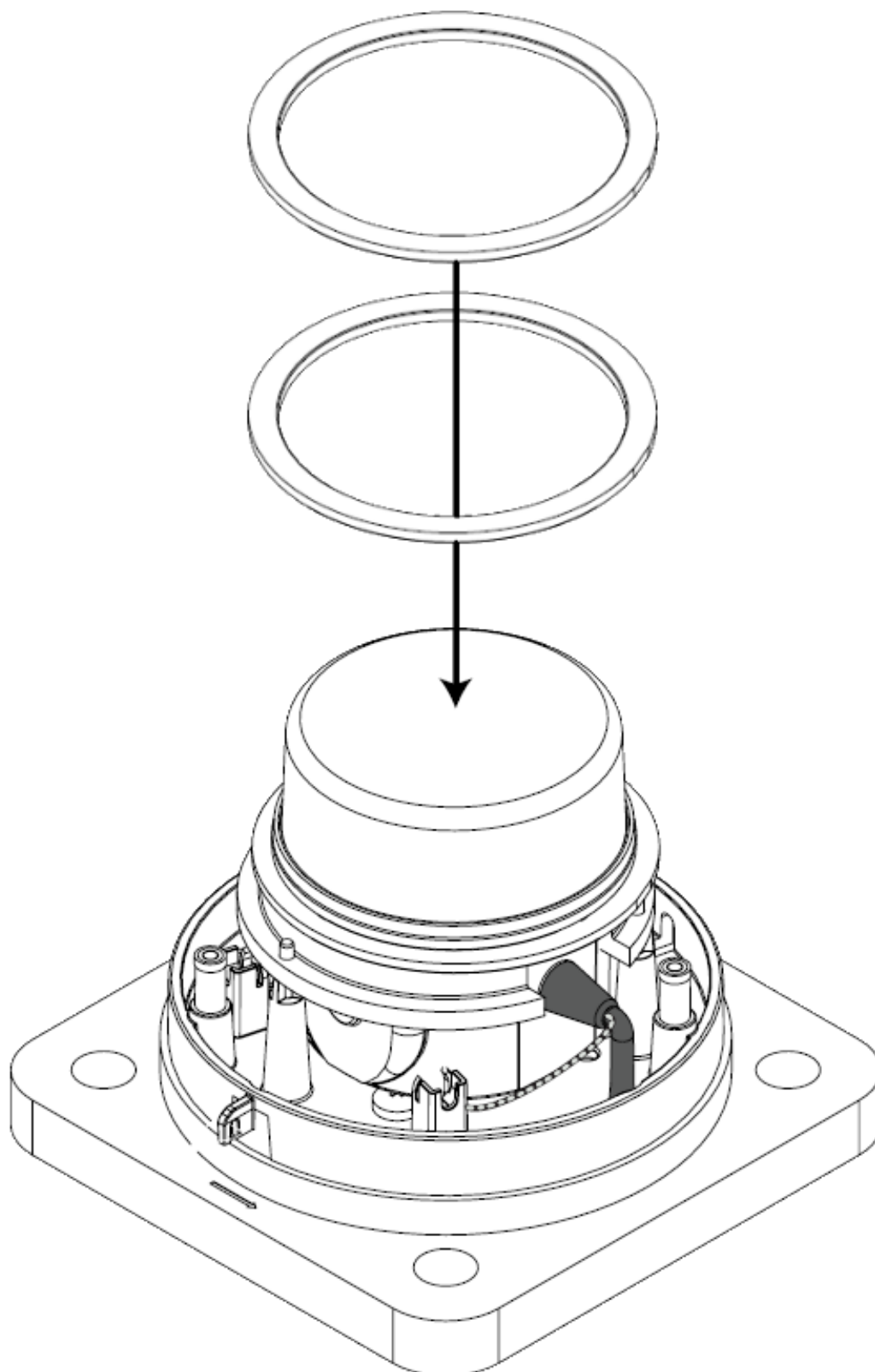


BERMAD

Water Control Solutions

Step 4:

2 x #RE00001020



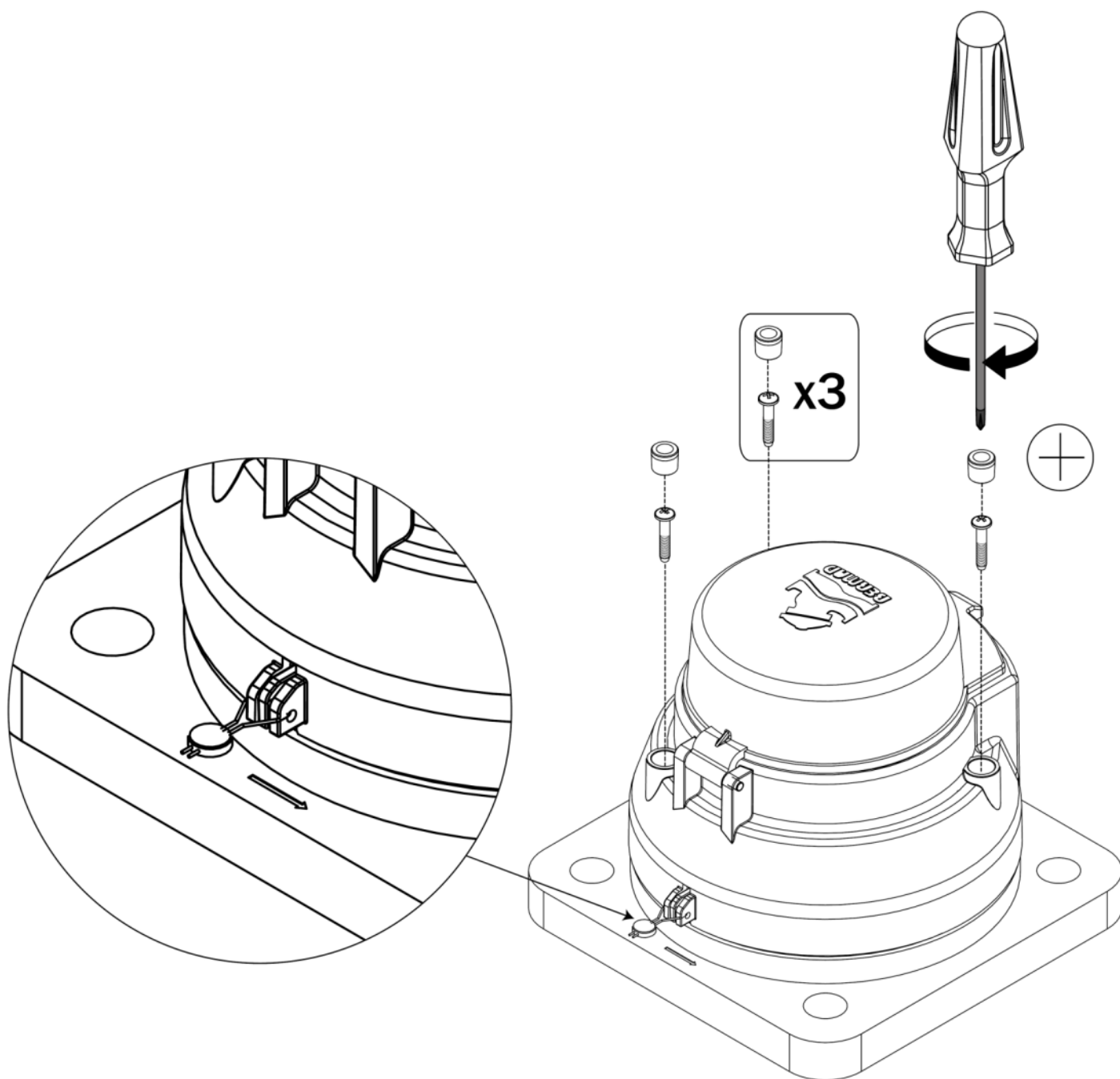


BERMAD

Water Control Solutions

Step 5:

- i. 1 x #RE0000A001
- ii. 3 x #RE0000S001
- iii. 3 x #RE00001004
- iv. 1 x #1200005040





BERMAD

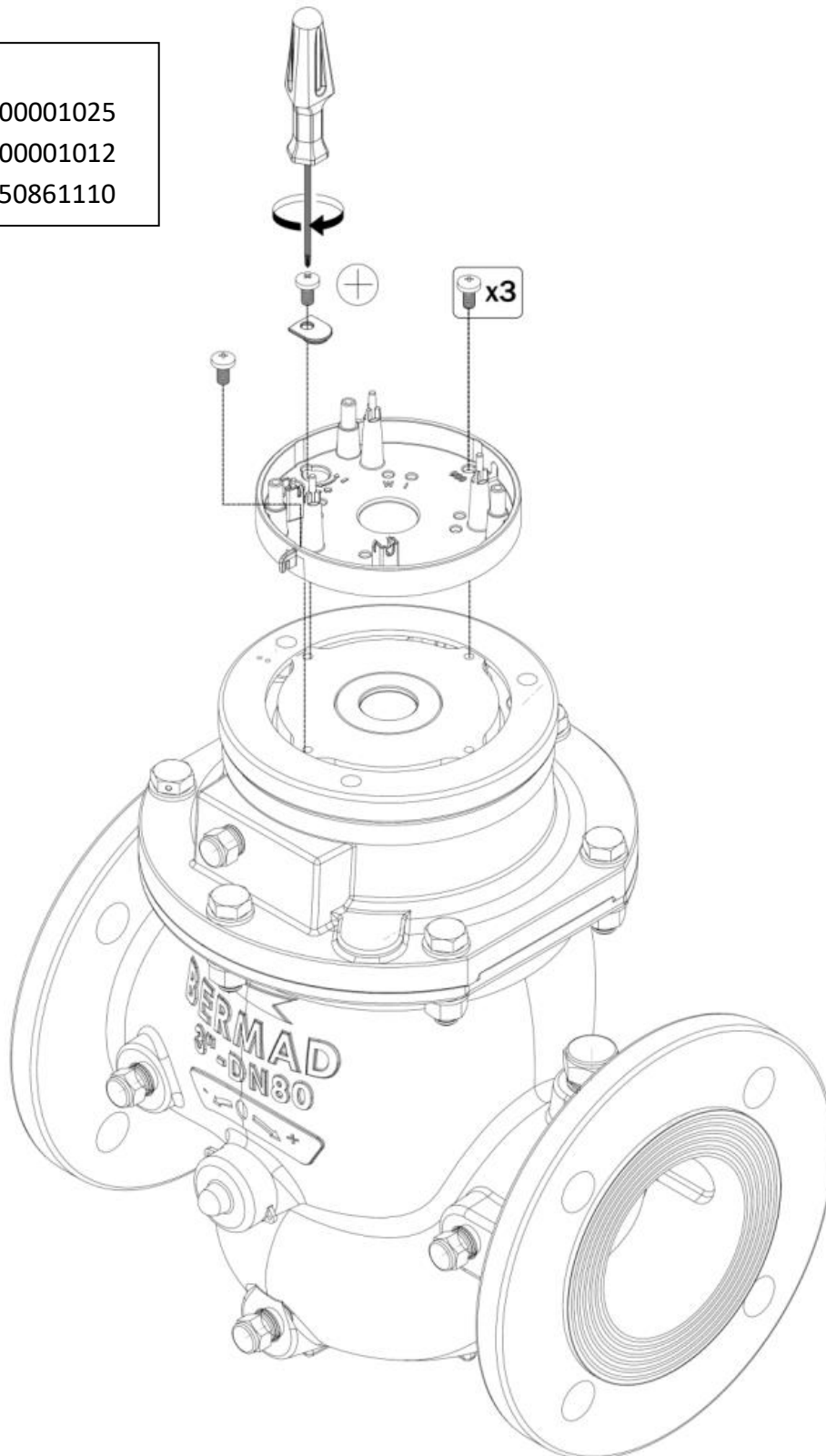
Water Control Solutions

Phase III – Assembly instructions for 900 Series:

Please assemble the Electronic Register and all of its supplement components in the order seen at the following image (for Turbo Bar & Turbo IR series, please refer to Phase II)

Step 1:

- i. 1 x #RE00001025
- ii. 1 x #RE00001012
- iii. 3 x #0250861110



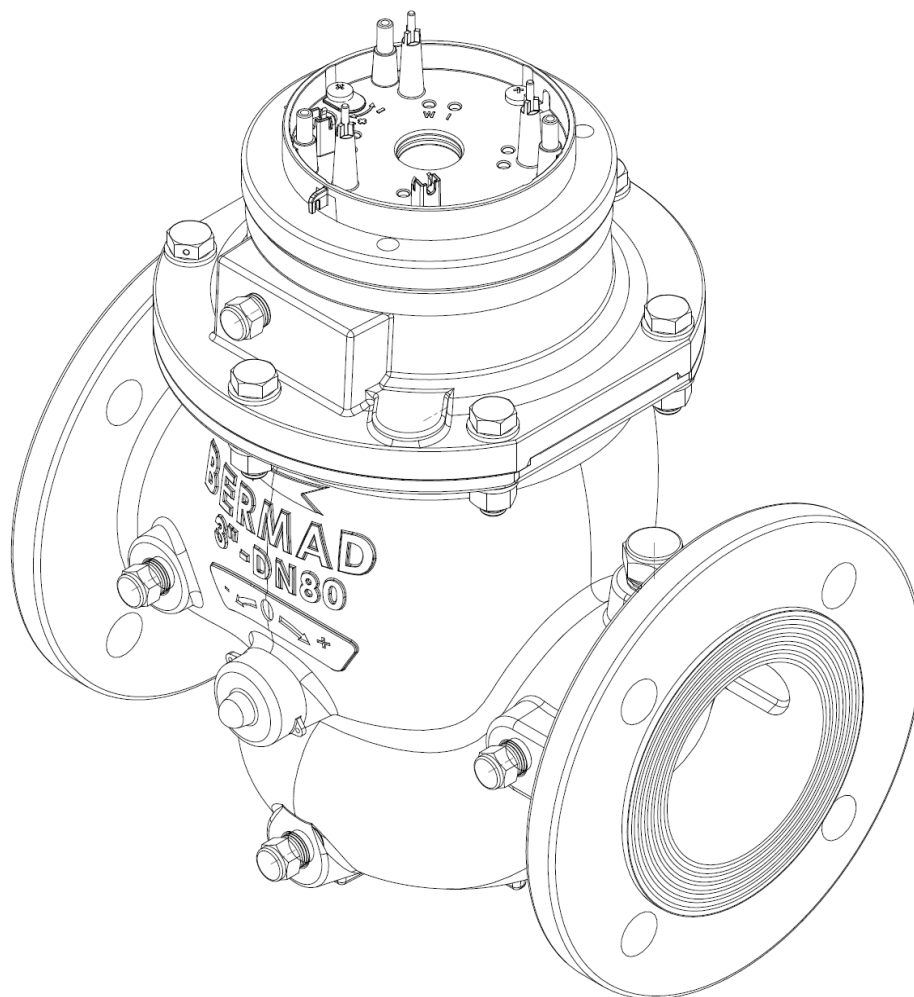
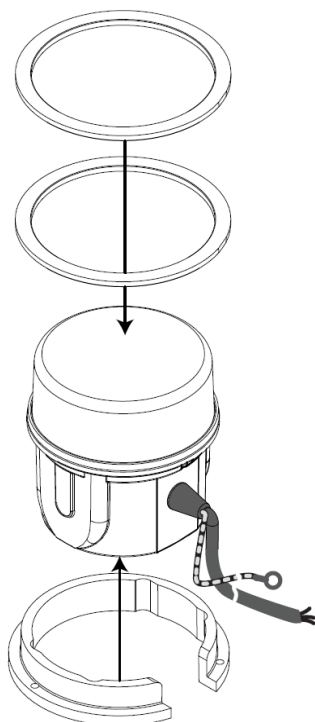


BERMAD

Water Control Solutions

Step 2:

- i. 2 x #RE00001020
- ii. 1 x #RE00001029



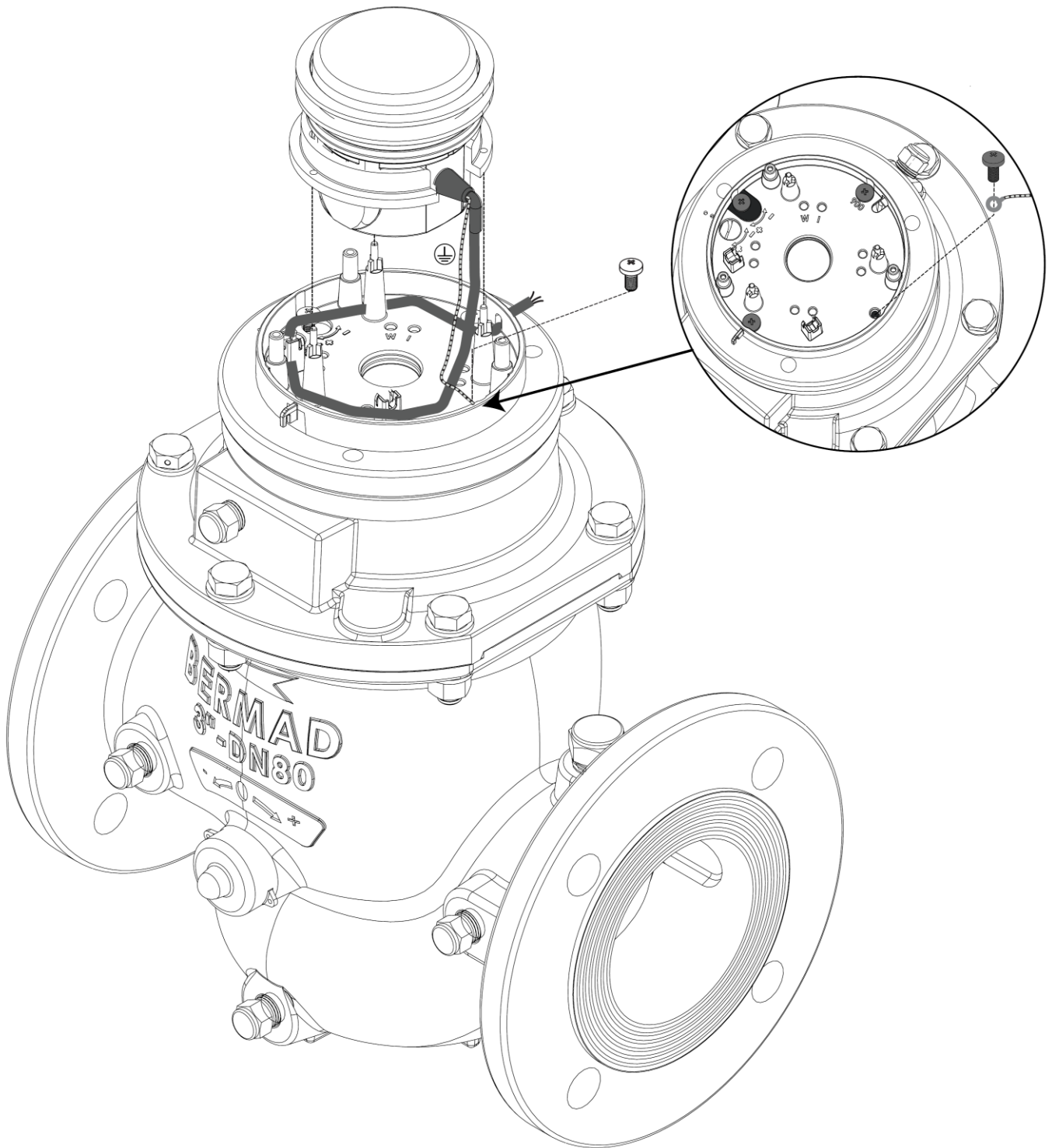


BERMAD

Water Control Solutions

Step 3:

1 x #0240861108



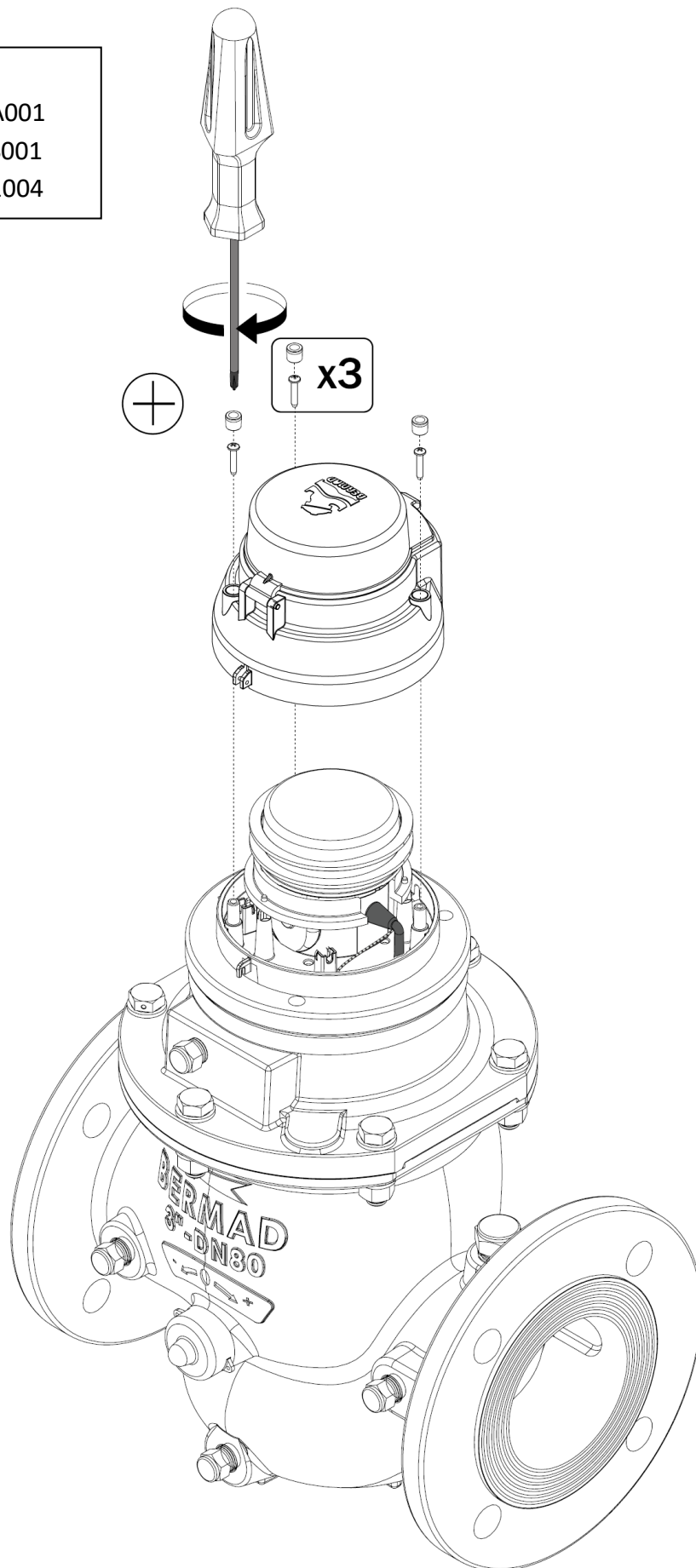


BERMAD

Water Control Solutions

Step 4:

- i. 1 x #RE0000A001
- ii. 3 x #RE0000S001
- iii. 3 x #RE00001004





BERMAD
Water Control Solutions

Step 5:

1 x #1200005040

