

# HIGH CAPACITY PRESSURE REDUCING SUSTAINING VALVE

## Model #3HC

This is a direct acting valve, actuated by a pressure responsive diaphragm, which tends to reach equilibrium with the set spring force.

When used in a pressure relief/sustaining circuit, the pilot modulates open as upstream pressure rises above set point.

### Features

- Internal or external pressure sensing
- Differential pressure sensing
- Direct Pressure gauge installation
- Non-tamper safety cap

### Typical Applications

- Pressure Relief/Sustaining Valves sizes 16-32" (Standard model #3HC)
- Differential Pressure Sustaining 16-32" (Modified to differential sensing #3HC-DR)
- Surge Anticipating Valve sizes 6-14" as high pressure pilot (Modified to external pressure sensing #3HC-R)

### Technical Data

**Pressure Rating:** 25 bar; 350 psi

**Working Temperature:** Water up to 160°F; 70°C

**Flow Factor:** Kv 4.7; Cv 5.5

#### Standard Materials:

**Body:** Stainless Steel 316

**Cover:** Stainless Steel 316 (Optional: Brass)

**Elastomers:** NBR

**Internals:** Stainless Steel & Brass

**Spring:** Galvanized Steel

#### Optional Materials:

**Internals:** Stainless Steel 316, NAB, Hastalloy

**Springs:** Stainless Steel 316, Stainless Steel 302, Inconel, Titanium

**Elastomers:** EPDM, VITON

### Adjustment Range

Spring	Pressure		
	bar	psi	
16	1-16	15-230	Standard
10	0.5-10	7.5-150	
3	0.5-3	7.5-45	Optional
25*	2-25	30-350	

\* With high pressure setting kit

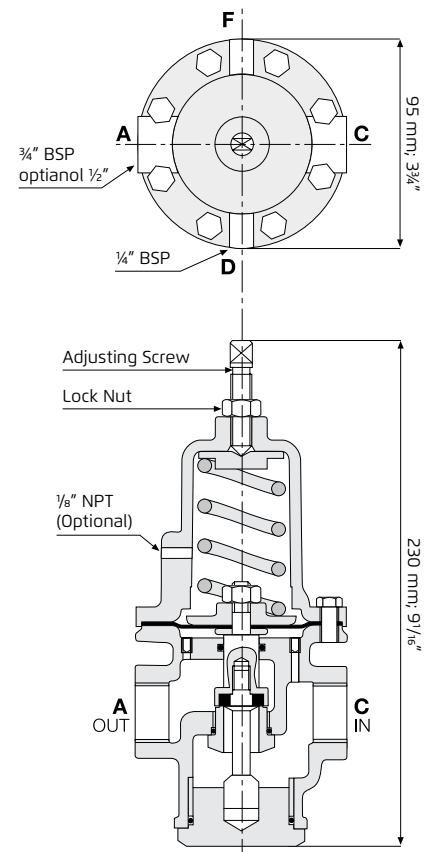
### Connections

**C** - Valve control chamber

**A** - Downstream

**F/D** - External sensing (optional) / pressure gauge

Upstream pressure is connected to valve control chamber via a restriction.



**Weight: 3.3 Kg; 7.3 lbs.**

High pressure setting kit add 128; mm; 5" to pilot height.



[www.bermad.com](http://www.bermad.com)

The information contained herein may be changed by Bermad without notice. Bermad shall not be held liable for any errors.  
© Copyright 2009-2019 Bermad CS Ltd. January 2019