

### Limit Switch Assemblies

These assemblies enable the signaling of a control system as to the opening position of a control valve. They are equipped with one or two electrical switches actuated by the closing or opening of the valve.

Two versions are available:

- **Single limit switch assembly**  
Equipped with one switch, signaling closed valve.
- **Double limit switch assembly**  
Equipped with two switches, signaling closed and fully open valve.

#### Switch Technical Data

**Switch type:** SPDT (Single Pole Double Throw)

**Contacts:**

- Galvanized isolated
- Slow travel for exact switching with positive opening operation
- According to VDE 0113, VDE 0660-200, IEC 947-5-1, EN 60204 and EN 292.

**Rated insulation voltage:** 500 V(ac)

**Thermal current:** 10 A

**Short-circuit protective device:**

10 A fuse, type gI or gG

**Ambient temperature:** -35 +85°C (without icing)

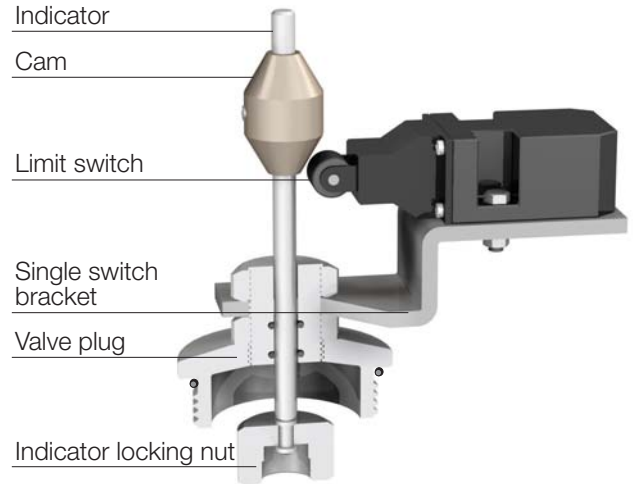
**Ambient humidity:** 95% (max.)

**Enclosure rating:** IP66

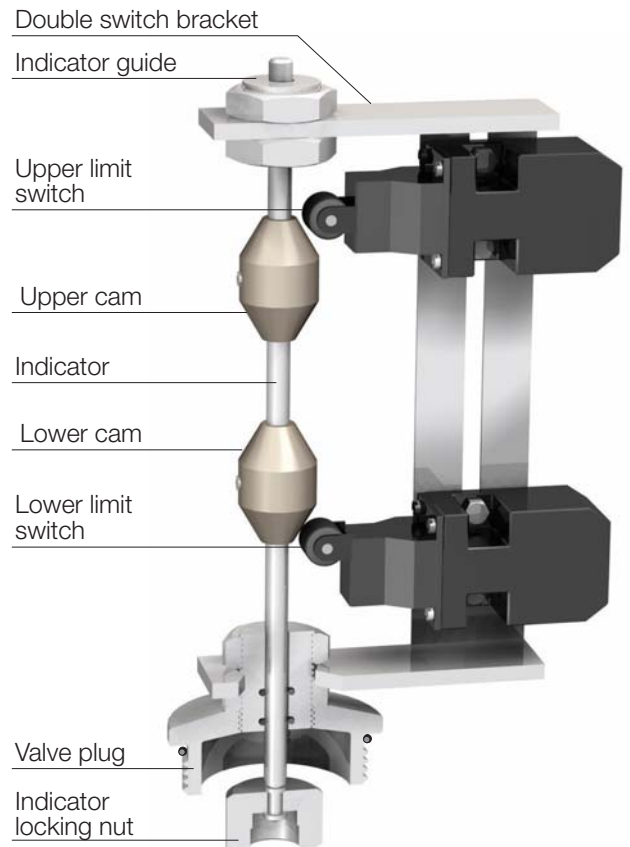
#### Assembly Technical Data

**Standard materials:**

- Valve plug, cover plug, bracket nut, cam:** Brass
- Indicator locking nut, retaining rings, locking screw,**
- Indicator:** Stainless Steel
- Seals:** NBR
- Bracket:** Fusion bonded epoxy coated Steel



Single limit switch assembly



Double limit switch assembly

