

Level Control & Pressure Sustaining Valve with Bi-Level Vertical Float

(Sizes 1½-14"; DN40-350)

Description

The Model 753-66 Level Control & Pressure Sustaining Valve with Bi-Level Vertical Float is a hydraulically operated, diaphragm actuated valve that controls reservoir filling, opening at pre-set reservoir low level, and shutting off at pre-set high level. During filling, it sustains minimum upstream pressure regardless of fluctuating flow or reservoir level.

Installation

1. Ensure enough space around the valve assembly for future maintenance and adjustments.
2. Prior to valve installation, flush the pipeline to insure flow of clean fluid through the valve.
3. For future maintenance, install Isolation gate valves upstream and downstream from Bermad control valve.
4. Install the valve in the pipeline with the valve flow direction arrow in the actual flow direction. Use the lifting ring provided on the main valve cover for installing the valve.
5. For best performance, it is recommended to install the valve horizontally and upright. For different valve positions – consult Bermad.
6. It is highly recommended to install a strainer Bermad model 70F upstream from the pressure reducing valve, to prevent debris from damaging valve operation.
7. Install the float pilot assembly either at an external balancing tank or at an internal stilling tank (refer to the enclosed "Float #66" catalog page).
8. Pull three parallel ½" or ¾" control tubes, from the valve to the float. Mark each of the tubes at both sides for identification.
9. Determine the desired rod length according to level differential between the float assembly and reservoir lowest level.
10. Assemble the extension rods to the upper rod and to one another. Apply glue ("Loctite 200" or equivalent) and screw tight. Be careful not to damage the rod.
11. Install the upper & lower stoppers on the rod without the float ball. Use 3/16" Allen-Key to lock the stoppers on the rod.
12. Screw the upper rod to its place at the bottom of the lever system & tighten the lock nut by ½" spanner.
13. Balance the float assembly by moving the weight against the rod and stoppers (without the float ball). After reaching equilibrium, tighten the balancing-weight screw and its lock-nut by 7/16" spanner.
14. Remove the lower stopper to enable threading-in the float ball. Reassemble the lower stopper & lock it in its place.
Note: You may have to pull out the whole rod, in order to reach the lower stopper. If so, release the rod lock-nut, unscrew the installed rod (with its extensions & the stoppers) and pull it up from the stilling tank. After threading-in the float ball and locking the lower stopper back in its place, reassemble the installed rod.
15. Connect the control tubes ends, using ¾" copper or reinforced plastic tube, to the valve and to the float according to control drawing below.
 - 15.1. Tube from valve control filter [4] to float port [P].
 - 15.2. Tube from float port [C1] to the pilot [#3PB-RD] cover.
 - 15.3. Optional Tube from float port [C2] to pilot [#3PB-RD] port [1]. If not connected, plug float port [C2].

Commissioning & Calibration

1. Confirm that cock valves [1], [2] & [3] are open (handle parallel to cock-valve body).
2. Confirm that the supply pressure is typical.
3. Adjust the water levels by setting the stoppers:
 - 3.1. Hold the lever system at its upper position & set the upper stopper to 100 mm below desired upper level (but not higher than 150 mm below over-flow level).
 - 3.2. Hold the lever system at its lower position & set the lower stopper to 100 mm above desired lower level.
4. Open upstream and downstream isolating valves. Allow the 753-66 to open (ensuring the lever system is at its lower position) and start to fill-up the reservoir, while performing the below specified procedure:
 - 4.1. Calibrating the Pressure Sustaining Pilot & Venting air from the valve control loop:

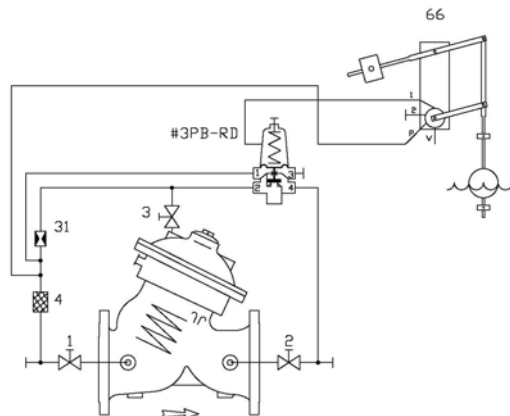
The Model 753-66 is factory set to the system minimum allowed pressure. The set pressure is marked on the pilot's label. If the set pressure is either different from the design or the requirements have been changed, follow the below steps:

 - 4.1.1. Close the upstream isolating valve to reduce 753-66 inlet pressure. Ensure that the 753-66 sustains the upstream pressure, preventing it from decreasing below setting, even when the upstream isolating valve is almost closed.
 - 4.1.2. Unlock the pilot locking nut and slowly turn the pilot adjusting screw Clock-Wise to increase set pressure and Counter-Clock-Wise to decrease it.
 - 4.1.3. After the pressure is stabilized, lock the pilot locking nut and open fully the upstream isolating valve.

- 4.1.4. During filling the reservoir move the lever-system manually to its upper position, forcing the valve to close, then to its lower position, forcing the valve to open. At each position, vent air from the valve control loop by loosening tube fitting at the highest point (float ports [P], [C1] & [C2], and at valve & pilot covers), allowing the air to bleed. Retighten the fittings eyebolts.
- 4.2. Calibrating shutting upper-level:
Ensure that the 753-66 closes as the water level reaches the upper set-level. If the 753-66 has not closed, move the lever-system manually to its upper position, forcing the valve to close. Change the upper stopper location down, to lower level setting or up to raise it, until the valve closes automatically at the desired upper-level.
- 4.3. Calibrating opening lower-level:
Allow the water level to drop by consuming from the reservoir or by draining it. Ensure the 753-66 remains closed until water level reaches the desired lower-level, switches at that point and opens fully. Change the lower stopper location down, to lower level setting or up to raise it, until the valve opens automatically at the desired lower-level
Note: For switching valve tendency from closing to opening and vice versa, change manually the lever system position up to close and down to open.
5. The Restriction [31] enables the 2-Way control & reduces valve closing speed.

Control Drawing

PARTS LIST	
1	2W Cock Valve
2	2W Cock Valve
3	2W Cock Valve
4	Control Filter
31	Restriction Orifice
#3PB-RD	2W Pressure Sustaining Pilot, Diff. Sensing
66	4W Bi-Level Vertical Float



Trouble-Shooting

1. Valve fails to Open: Check for sufficient inlet pressure, confirm float & pilot setting, check cock valves status.
2. Valve fails to Close: Confirm float & pilot setting, check cock valves status, clean control filter & detect for clogged ports or fittings, check if any debris trapped in the main valve, confirm diaphragm is not leaking.
3. Valve fails to Regulate: Check cock valves status, release air trapped in the 753-66 control chamber & the pilot cover

Preventative Maintenance

1. System operating conditions that effect on the valve should be checked periodically to determine the required preventative maintenance schedule.
2. Maintenance instructions:
 - 2.1. Tools required:
 - 2.1.1. Metric and imperial wrenches
 - 2.1.2. Anti seize grease
 - 2.2. Visual inspection to locate leaks and external damages
 - 2.3. Functional inspection including: closing, opening and regulation.
 - 2.4. Close upstream and downstream isolating valves (and external operating pressure when used).
 - 2.5. Once the valve is fully isolated vent pressure by loosening a plug or a fitting.
 - 2.6. Open the stud nuts and remove the actuator as one unit from the valve body. Disassemble necessary control tubs.
 - 2.7. It is highly recommended to stock a reserve actuator assembly for each size. This allows minimum system field work & system down time.
 - 2.8. Disassemble the actuator and examine its parts carefully for signs of wear, corrosion, or any other abnormal conditions.
 - 2.9. Replace worn parts and all the Elastomers. Lubricate the bolts and studs threads with Anti seize grease.

Spare parts

Bermad has a convenient and easy to use ordering guide for valve spare-parts and control system components. For solenoid valves refer to model and S/N on solenoid tags.

Pub #: IOMEW753-66

By: YE 1/08

Rev: 01YE-1/08

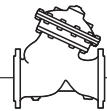
File name: IOMEW753-66_01_08



appliceng@bermad.com • www.bermad.com

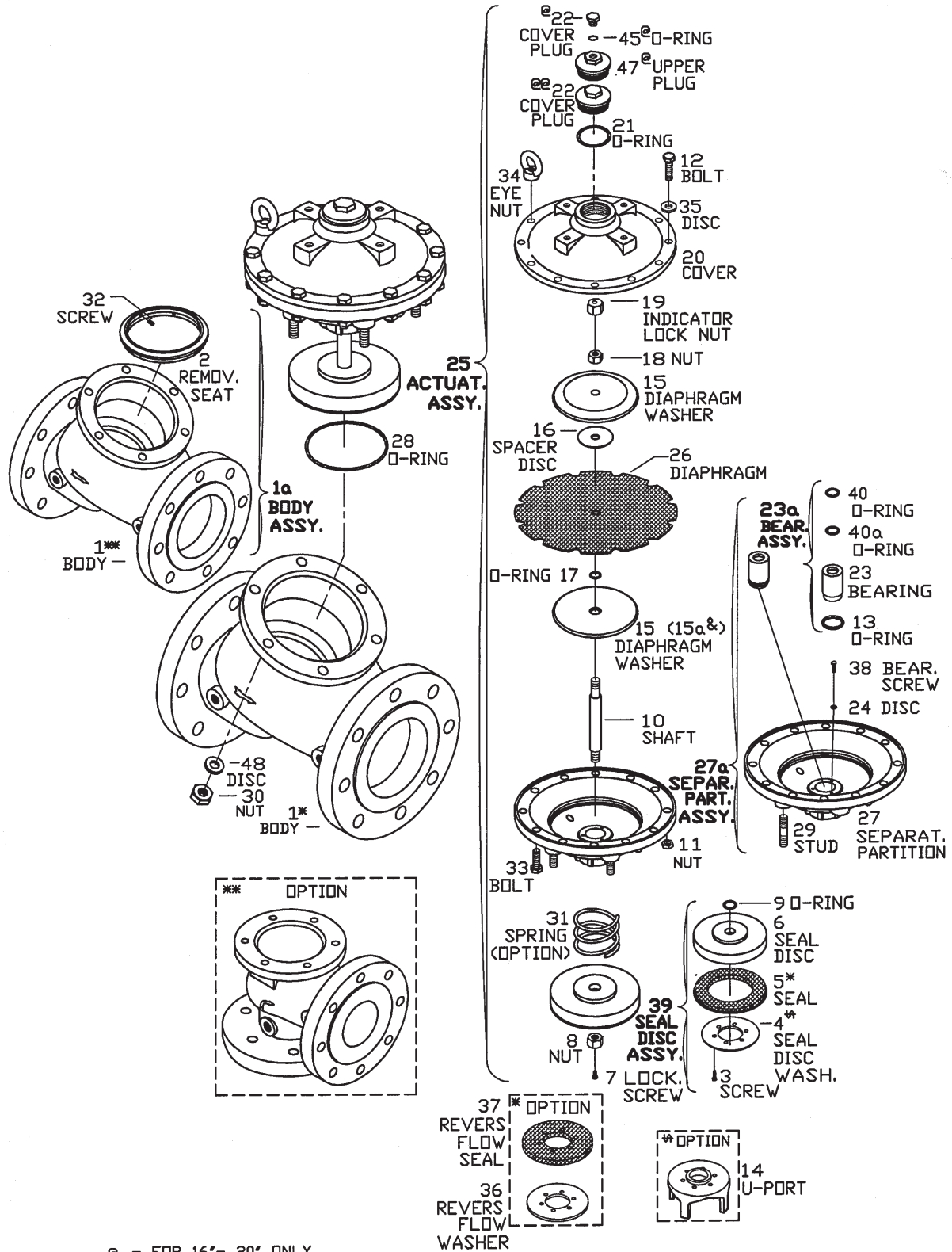
The information contained in this document is subject to change without notice.

BERMAD shall not be liable for any errors contained herein. All Rights Reserved. © Copyright by BERMAD Control Valves.



Diaphragm Actuated Basic Control Valves

Sizes: 4"-20"



⊕ - FOR 16"- 20" ONLY
 ⊕⊕ - FOR 4"- 14" ONLY
 & - FOR HIGH PRESSURE ONLY

WW-700 Series Elastomers

Created 1.8.2009

Updated 5.8.09

Page Number	700	Part No.		Part No.		Part No.		Part No.		Part No.		Part No.		# KIT Item No.
		O-ring code # Item No. (Qty - 1)	O-ring code # Item No. (Qty - 2)	O-ring code # Item No. (Qty - 1)	O-ring code # Item No. (Qty - 2)	O-ring code # Item No. (Qty - 1)	O-ring code # Item No. (Qty - 2)	O-ring code # Item No. (Qty - 1)	O-ring code # Item No. (Qty - 2)	O-ring code # Item No. (Qty - 1)	O-ring code # Item No. (Qty - 2)	Material # Item No. (Qty - 1)	Material # Item No. (Qty - 1)	
38	1.5"-2.5" DN40-DN65	2-232	8	29	13	21	26	(p.41 p.43)	5	2520-00000				
		0535171232	0527172130	0517172007	0517172175	0517172007	0526172310	25200B0510	0517172012	25200B2503				
39	3" DN80	2-237	9	13	35	21	26	(p.41 p.43)	5	2530-00000				
		0535171237	0527172130	0517172007	0526172466	0517172007	0526172310	25300B0312	0517172012	25300B2506				
40	4" DN100	2-246	40	13	17	21	26	(p.41 p.43)	5	2540-00000				
		0535171246	0527172130	0526172171	0526176466	0517172007	0526172310	22400B0026	0517172012	25400B2322				
40	6" DN150	2-364	9	13	17	21	26	(p.41 p.43)	5	2560-00000				
		0535171364	0535172061	0526172171	0526172171	0527172130	0535172365	22600B0026	0517172012	25600B2305				
40	8" DN200	2-372	9	13	17	21	26	(p.41 p.43)	5	2580-00000				
		0535171372	053517216	0526172566	0526172566	0526172111	0535172365	22801B0026	0517172012	25800B2305				
40	10" DN250	2-379	40	13	17	21	26	(p.41 p.43)	5	2510-00000				
		0535171379	0535172034	0526172160	0526172160	0526172166	0535172365	22011B0026	0517172012	25010B2305				
40	12" DN300	2-456	9	13	17	21	26	(p.41 p.43)	5	2512-00000				
		0569171456	0553172027	0535172365	0535172365	0526172466	0535172365	25120B0326	0517172012	25120B2305				
40	16"-20" DN400-500	2-466	2-230	2-340	2-223	2-119 + 2-236	NBR	2-011	NBR	2516-00000				
		0569171466	0553171333	0553171340	0535171223	0535172125 (21) & 0526172310 (45)	0517172012	25160B0326	0517172012	25160B2305				

* Please note that some items may be used for various sizes and positions.
 * Data correct at "Updated" date only, please consult factory for updated data.