

LARGE CONTROL FILTER

The Large Control Filter is used for filtration of dirty control fluid that might quickly block a smaller filter element. The Large Control Filter increases the reliability of the control valve system and time between maintenance, while minimizing faulty operation.

The large control filters are available with 2 types of filter element - screen or disc.

Technical Data

Filter types:

- Large Control Filter (F)
- Double Large Control Filter (F1)

Filter Element (*):

- Screen filter element type - 50 mesh, 300 µm
- Disc filter element type - 70 mesh; 200 µm

Pressure Rating:

- 25 bar; 350 psi (Standard)
- 40 bar; 600 psi (HP Model)

Max Temperature: 80°C; 180°F

Ports: 3/8" NPT female, 1/2" NPT female

Standard Materials:

- Body:** Carbon Steel, Epoxy Coated
- Covers:** Brass
- Stem:** Stainless Steel 304
- *For HP models stem might differ
- Nut:** Stainless Steel 304

Filter Element:

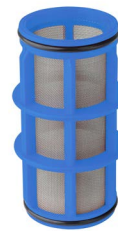
- Screen filter element type - structure: Polypropylene 20% GF woven net; Stainless steel 316L (**) or Polyester
- Disc filter element type - structure: Polypropylene discs; Polyethylene

Seals: NBR

Optiona Materials:

- Body:** SST 316, NAB, Super Duplex, Hastalloy
- Covers:** SST 316, NAB, Super Duplex, Hastalloy
- Stem:** SST 316, NAB, Super Duplex, Hastalloy
- Nut:** SST 316, NAB
- Seals:** EPDM, Viton

(*) Reverse flow direction when changing from disc element to screen element and vice versa.
 (**) Use the Polyester screen filter element for sea water and other corrosive materials.



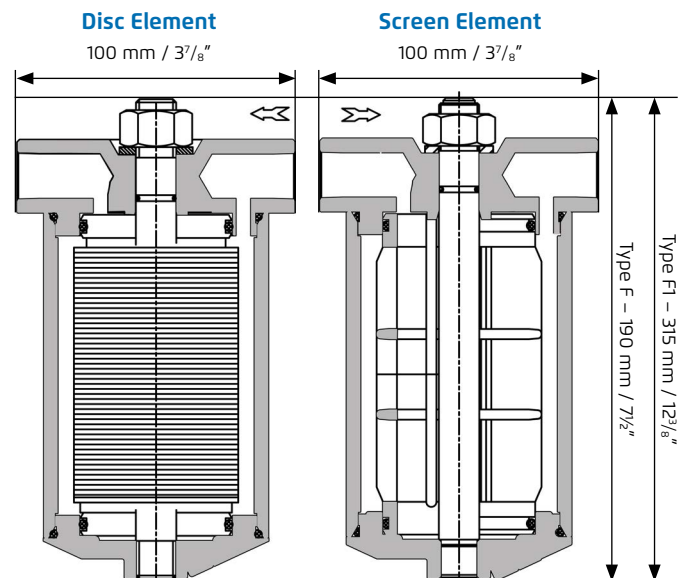
Screen - SST316



Screen - Polyester



Disc



Weights: Type F - 2.7 Kg. (6 lbs.), Type F1 - 5.3 Kg. (11.7 lbs.)