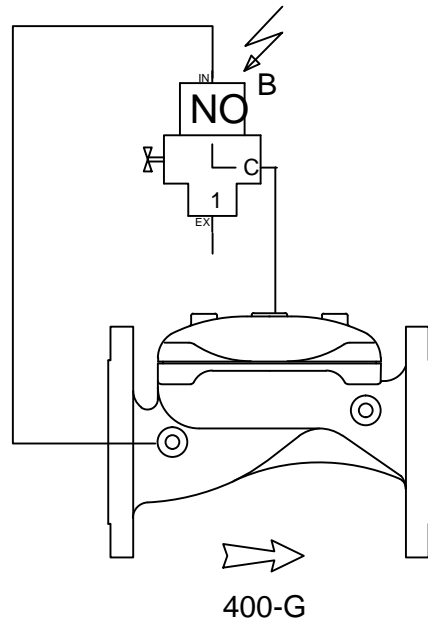
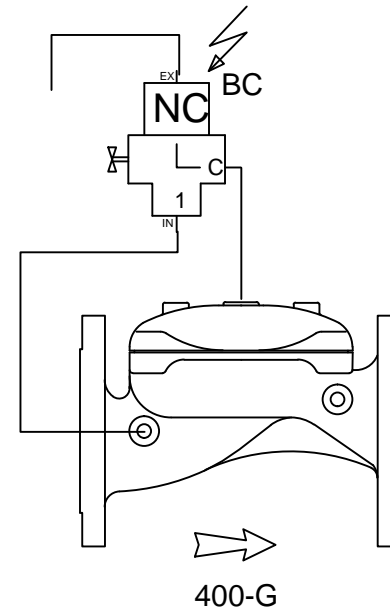


Solenoid valve NC using 3 way NO Bermad S-390-3W-NO solenoid

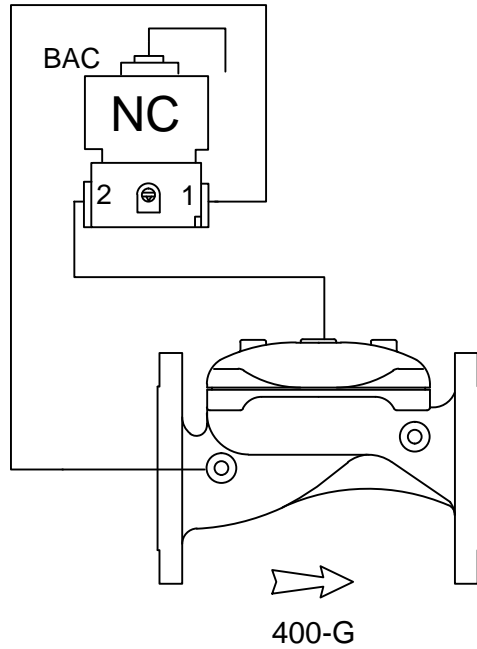


Solenoid valve NO using 3 way NC Bermad S-390-3W-NC solenoid

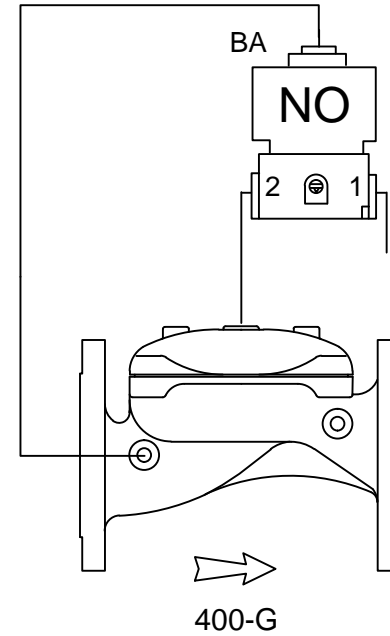


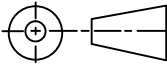
<p>Not to Scale</p> 	<p><b>Bermad Water Technologies</b>                  7 Inglewood Drive , Thomastown , Vic 3074                  Ph (03) 9464 5949 Fax (03) 9464 2382</p>	<p>Drawn by :                  Date :</p>
<p>Email Address                  colin@bermad.com.au</p>	<p>Project :</p>	<p>Drawing Number :</p>
<p>Revision Number / Date</p>		

Solenoid valve NC using 3 way NO GEMSOL NO  
1.6mm solenoid



Solenoid valve NO using 3 way NC GEMSOL 1.6mm  
solenoid



<p>Not to Scale</p> 	<p><b>Bermad Water Technologies</b> 7 Inglewood Drive , Thomastown , Vic 3074 Ph (03) 9464 5949 Fax (03) 9464 2382</p>	<p>Drawn by : Date :</p>
<p>Email Address colin@bermad.com.au</p>	<p>Project :</p>	<p>Drawing Number :</p>
<p>Revision Number / Date</p>	