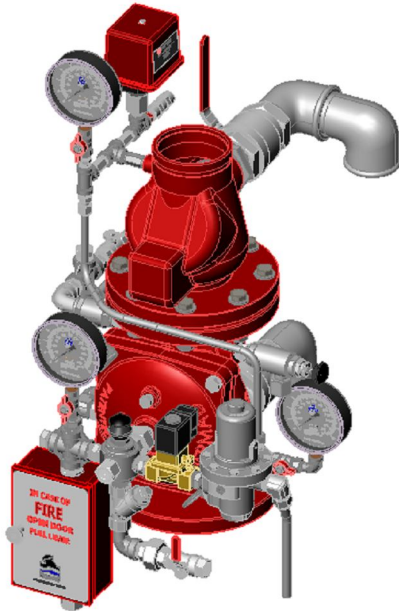


# BERMAD Fire Protection

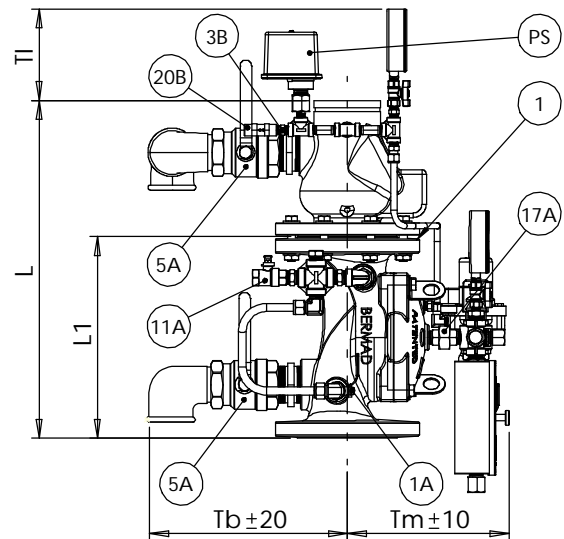
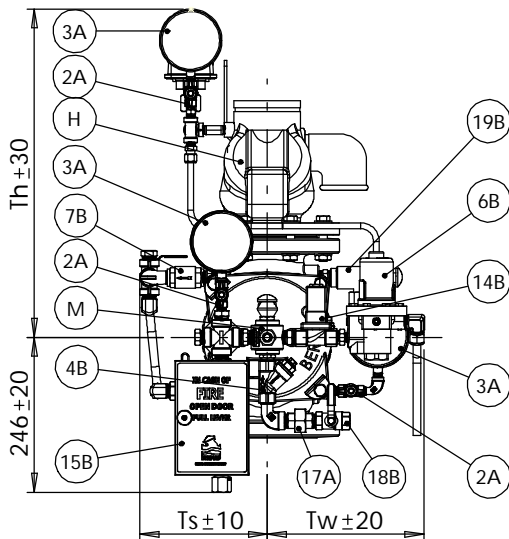
Model: FP-400E-7DM Sizes: 2" - 8"

GA Drawing

Double Interlock Pre-Action, Electric-Pneumatic Release System



Item No.	Description	Qty
1	Main Valve, Bermad FP-400E	1
1A	Alarm Check Ball Valve 1/2"	1
2A	Ball Valve 1/4"	3
3A	Pressure Gauge 4"x1/4"	3
3B	Orifice Assembly	1
4B	Priming Y Filter 1/2"	1
5A	Drain Valve 3/4", 1.5", 2"	2
6B	Pneumatic Pressure Operated Relief Valve (PORV)	1
7B	Priming, Check Valve 1/2"	1
11A	Alarm Shutoff Valve (Ball Valve) 1/2"	1
14B	Solenoid Valve	1
15B	Manual Emergency Release 1/2"	1
17A	Union 1/2"	2
18B	Priming Ball Valve 1/2"	1
19B	Drip Check 1/2"	1
20B	Check Valve 1/4"	1
H	In-Line Swing Check Valve	1
M	EasyLock Manual Reset 1/2"	1
PS	Pressure Switch P-10	1



Valve Size	2"	2.5"	3"	4"	6"	8"
DN	40-50	65	80	100	150	200
Metric	mm	mm	mm	mm	mm	mm
L1	205	205	250	320	415	500
Th	429	429	468	522	639	728
Ts	163	169	172	193	254	255
Tw	250	250	250	250	270	271
TI	154	154	150	146	126	113
L	531	531	593	682	846	978
Tb	284	294	304	318	339	366
Tm	202	214	238	258	333	384
Dv Ø	3/4" Rc	1.5" Rc	1.5" Rc	2" Rc	2" Rc	2" Rc

File Name: FP-400E-7DM	Drawing No: 0407300002	Date: 01.02.09	Status: Rev. 0	Project:
---------------------------	---------------------------	-------------------	-------------------	----------

[appliceng@bermad.com](mailto:appliceng@bermad.com) • [www.bermad.com](http://www.bermad.com)

The information contained in this document is subject to change without notice. BERMAD shall not be liable for any errors contained herein.  
All Rights Reserved. © Copyright by BERMAD Control Valves

